

Article

# Development of a Chemical Quasi-Equilibrium Model of Biomass Waste Gasification in a Fluidized-Bed Reactor by Using Aspen Plus

Vera Marcantonio <sup>1,\*</sup> , Enrico Bocci <sup>2</sup> and Danilo Monarca <sup>1</sup>

<sup>1</sup> Department of Agricultural and Forestry Sciences (DAFNE), Tuscia University of Viterbo, Via San Camillo de Lellis, 01100 Viterbo, Italy; monarca@unitus.it

<sup>2</sup> Department of Nuclear, Subnuclear and Radiation Physics, Marconi University, 00193 Rome, Italy; e.bocci@unimarconi.it

\* Correspondence: vera.marcantonio@unitus.it

Received: 5 November 2019; Accepted: 17 December 2019; Published: 20 December 2019



**Abstract:** In the delicate context of climate change, biomass gasification has been demonstrated to be a very useful technology to produce power and hydrogen. Nevertheless, in literature, there is a lack of a flexible and fast but accurate model of biomass gasification that can be used with all the combinations of oxidizing agents, taking into account both organic and inorganic contaminants, and able to give results that are more realistic. In order to do that, a model of biomass gasification has been developed using the chemical engineering software Aspen Plus. The developed model is based on the Gibbs free energy minimization applying the restricted quasi-equilibrium approach via Data-Fit regression from experimental data. The simulation results obtained, considering different mixes of gasifying agents, were compared and validated against experimental data reported in literature for the most advanced fluidized bed technology. The maximum discrepancy value obtained for hydrogen, with respect to experimental data, is of 8%, and all the other values reached by the developed simulations, considering both organic and inorganic compounds, are in good agreement with literature data. The gas yield reached by the developed simulation is in the range of 1.1–1.3 Nm<sup>3</sup>/kg.

**Keywords:** biomass gasification; equilibrium model; tar; syngas; hazelnut shells; Gibbs free energy minimization; steam gasification; Aspen Plus

## 1. Introduction

Every year, a great amount of agro-industrial, municipal and forestry residues are treated as waste; instead, they can be recovered and used to produce thermal and electrical energy by biological or thermo-chemical conversion processes [1,2]. Contrary to biological methods, thermo-chemical ones are more viable allowing the treatment of a wide range of feedstock in shorter residence time [3,4]. Among thermo-chemical processes, biomass gasification is one of the most efficacious conversion technologies because of lower investment costs while maintaining the ability for high-rate fuel gas production [5,6]. This process utilizes oxidizing agents (oxygen, air, steam or a mix of them) at high temperature (in the range of 750–1000 °C) to produce a fuel gas, called syngas, mostly rich in hydrogen, carbon monoxide, carbon dioxide, methane and steam along with several unwanted by-products [3]. A good quality syngas is characterized by low level of N<sub>2</sub>, high level of H<sub>2</sub>, low level of contaminants and high heating values (LHV) [7,8]. Further studies have demonstrated that the fluidized-bed is a promising type of gasifier, which ensures high reaction rates and conversion efficiencies thanks to good mixing and gas-solid contact [9,10]. Process and system simulation models have obtained great interest in the prediction of performance, giving a good description of both chemical and physical phenomena

occurring into the gasifier and allowing to assess the plant behavior with the purpose of optimizing the gasifier design and its operation with minimal time and costs [11]. Among the system simulators which can be used in simulating thermochemical plants, Aspen Plus represents one of the most powerful and versatile options [11–13]. Developed by Massachusetts Institute of Technology (MIT), Aspen Plus is a chemical engineering process optimization software that utilizes unit operation blocks, such as reactors, pumps, columns, heat exchangers, etc. Each unit block is linked to another by material and energy streams to create a flow sheet for the whole process. The program is based on a sub-sequential modular approach, and the simulation calculations use the in-built physical properties database [14]. Several authors investigated biomass-gasification process by using Aspen Plus. Different approaches can be used, among them, kinetic and equilibrium models are the most used [12,15]. Kinetic models can be used to predict syngas yield, the products of syngas composition achieved by a gasifier after a finite time (or in a finite volume in a flowing medium), profile of temperature inside the reactor and the gasifier performance for a stabilized operating condition and gasifier configuration [16,17]. In order to do that, kinetic models consider the kinetics of the gasification reactions and the hydrodynamics of the gasifier. Thus, these models contain parameters that can restrict their applicability to specific plants; moreover, increasing the complexity in the design of the gasifier, the complexity of the model increases since the model is based on reactor hydrodynamics.

The thermodynamic equilibrium model allows to predict the syngas composition based on the assumption that the reactants react in a fully mixed condition for an infinite time [18]. This model is independent of the gasifier design and so it may be more suitable for process studies on the influence of the different process parameters. Then, equilibrium models are divided into two sub-categories: stoichiometric models and non-stoichiometric ones. Stoichiometric models are based on equilibrium constants, so they need specific chemical reactions involved in the process. Non-stoichiometric models are based on minimization of the Gibbs free energy, and they offer the advantage of not considering the chemical reactions. The equilibrium models have been used successfully by many researchers in modelling the gasification process in fluidized-bed gasifiers [5,6,12,19], allowing to evaluate the effect of temperature of reactor, equivalence ratio, steam to biomass ratio and moisture content of feedstock on the gasification process. An upgrade of the non-stoichiometric equilibrium model is the quasi-equilibrium approach, which is a compromise between equilibrium thermodynamic models and experimental ones and does not require specific information on the dimensions, capacity and structure of the reactor. This approach gives a more accurate description of the syngas composition and is considered one of the most effective ways to simulate the performance of a gasifier [14]. The first one who introduced the quasi-equilibrium model was Gumz [20], who proposed to use the QET (Quasi-Equilibrium Temperature), that is, the temperature at which the chemical reaction is considered to have reached equilibrium, rather than the actual temperature of the gasifier. In order to evaluate the QET, a Data-Fit made by experimental data can be used. Nevertheless, even if some QET models for fluidized bed gasifiers are present in literature, there is a lack of QET models that encompass air/steam/oxygen gasification and form inorganic (hydrogen sulphide, hydrogen chloride and ammonia) and organic (toluene, benzene and naphthalene) products. Arteaga-Pérez et al. [21] developed a quasi-equilibrium biomass gasification system by means of Aspen Plus. The gas composition out of the gasifier was corroborated with the experimental data in a bubble fluidized-bed pilot scale. The parameters that varied during the case studies were the gasifier temperature and the air factor. It was found that the maximum yield of syngas is achieved at 850 °C and at air equivalent ratio (ER) equal to 0.3. The unique contaminant compound considered by Arteaga-Pérez et al. was naphthalene, and the only oxidizing agent was air. Mirmoshtaghi et al. [22] developed a model for biomass gasification in a fluidized-bed gasifiers with QET by using Aspen Plus, predicting the content (volume fraction) of the four major components (H<sub>2</sub>, CO, CO<sub>2</sub> and CH<sub>4</sub>) in product gas and not considering any kind of contaminants. The oxidizing agent was only air. The temperature range of the gasification was set to 730–815 °C, and the ER was between 0.22 and 0.53.

In the present work, the authors have developed, and validated against experimental data, a quasi-equilibrium model of air/steam/oxygen biomass-gasification that includes organic and inorganic products. In this way the model is able to predict syngas composition and contaminants, and the authors have evaluated the effect of several variables including gasification temperature and steam to biomass ratio (S/B) on the gas composition for different gasifying agents.

## 2. Materials and Methods

### 2.1. Biomass Characteristics

Using biomass waste from agricultural means zero costs for the feedstock, avoiding fuel vs. food competition and having less life cycle impacts. In order to select the most suitable biomass waste to feed the gasifier, the following criteria have to be taken into account [1]:

1. Availability of biomass on a significant scale (tons/year);
2. Low heat value (LHV), which has to be high, so biomass with lower humidity is preferable;
3. Chemical composition, which has to be low in sulfur, chlorine and ash;
4. Size and shape of biomass, which have to be uniform in order to ensure homogeneous and efficient gasification and bulk density, which has to be comparable with that of the gasifier bed, even if the latter can be adjusted via pretreatment and feeding systems.

Following the previous criteria, among the different agricultural biomass waste, hazelnut shells, which represent an abundant agricultural sub-product in regions of moderate climate [23,24], have been selected for this study. The characteristics of hazelnut shells are reported in Table 1.

**Table 1.** Physical and chemical properties of hazelnut shells [25].

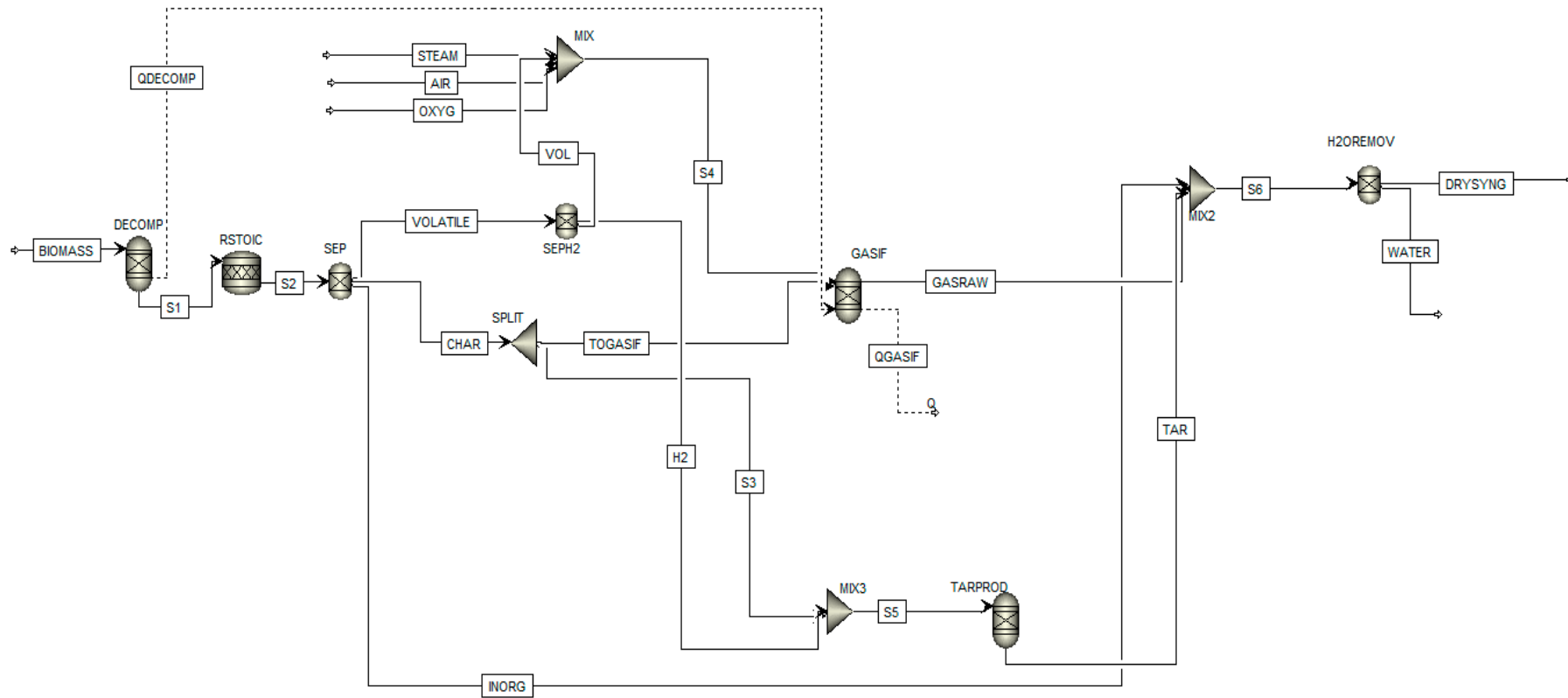
Bulk Density (kg/m <sup>3</sup> )		Moisture Content (% <sub>wt</sub> )			
319.14		7.90			
Proximate analysis (% <sub>wt</sub> , dry basis)					
Ash		Volatile matter		Fixed carbon	
1.16		72.45		26.39	
Ultimate analysis (% <sub>wt</sub> , dry basis)					
C	H	N	O	Cl	S
50.38	6.03	0.22	42.32	0.38	0.67
Heating values (MJ/kg <sub>dry</sub> )					
HHV			LHV		
20.20			18.85		

### 2.2. Aspen Plus Modelling

The simulation of the biomass gasification process, carried out on Aspen Plus, is based on mass-energy balance and chemical equilibrium among all processes. The following assumptions were considered for the simulation:

- Process is steady state and isothermal [26];
- Drying and pyrolysis happen instantaneously, and volatile products principally consist of H<sub>2</sub>, CO, CO<sub>2</sub>, CH<sub>4</sub> and H<sub>2</sub>O [27];
- Char is 100% carbon [28];
- All gases behave ideally;
- The tars considered are toluene (1-ring), naphthalene (2-ring) and benzene;
- The inorganic contaminants considered are hydrogen sulphide, hydrogen chloride and ammonia.

The Aspen Plus flow sheet of the developed model is shown in Figure 1 while all the units are described in Table 2.



**Figure 1.** Flowsheet of the plant evaluated in this study (the dashed streams are heat streams; the continuous streams are material streams).

**Table 2.** Description of ASPEN Plus flowsheet unit operation presented in Figure 1.

ASPEN Plus Name	Block ID	Description
RYIELD	DECOMP	RYield reactor—converts the non-conventional stream “BIOMASS” into its conventional components
	TARPROD	RYield reactor—simulates the production of toluene, naphthalene and benzene
RSTOIC	RSTOIC	RStoic reactor—simulates the production of H <sub>2</sub> S, HCl and NH <sub>3</sub>
SEP	SEP	Separator—separates the biomass in three streams: VOLATILE, CHAR and INORG
	SEPH2	Separator—separates an amount of hydrogen used to produce tar
	H2OREMOV	Separator—separates water from syngas
MIXER	MIX1	Mixer—mixes oxidising fluid with VOL stream, that represents combustible fluid
	MIX2	Mixer—mixes the gas from gasifier with INORG and TAR
	MIX3	Mixer—mixes the stream S3 and H2
FSPLIT	SPLIT	Splitter—splits char unreacted (S3) from char to burn (TOGASIF)
RGIBBS	GASIF	Gibbs free energy reactor—simulates drying, pyrolysis, partial oxidation and gasification and restricts chemical equilibrium of the specified reactions to set the syngas composition by specifying a temperature approach for individual reactions

In this simulation, the biomass is defined as a nonconventional component, its ultimate and proximate analyses specified according to Table 1. The Peng–Robinson equation with Boston–Mathias (PR-MB) modification, has been used to evaluate all physical properties of the conventional components in the gasification process. HCOALGEN and DCOALGEN models are selected for the evaluation of the enthalpy and density of both biomass and ash, which are non-conventional components.

### 2.3. Description of Aspen Plus Flow-Sheet

The power plant is mostly composed of a gasification reactor producing hazelnut shell-derived syngas. The stream BIOMASS, representing the hazelnut shell feed, goes firstly in the DECOMP block that is a RYield reactor, used to simulate the decomposition of the unconventional feed into its conventional components (carbon, hydrogen, oxygen, sulfur, nitrogen and ash, by specifying the yield distribution according to the biomass ultimate analysis in Table 1). Considering that the DECOMP block creates N, Cl and S as elemental components, which are known to produce principally HCl, NH<sub>3</sub> and H<sub>2</sub>S, and the results of experimental fractional conversion model are closer to the experimental data with respect to restricted chemical equilibrium, the product out of DECOMP is moved to the RStoic block to simulate the production of H<sub>2</sub>S, HCl and NH<sub>3</sub> by the following reactions [5]:

- $H_2 + S \rightarrow H_2S$  (R1)
- $Cl_2 + H_2 \rightarrow 2HCl$  (R2)
- $0.5N_2 + 1.5 H_2 \rightarrow NH_3$  (R3)

The fractional conversion considered for S, Cl<sub>2</sub> and N<sub>2</sub> is equal to 1 [12]. Deriving stream S2 goes into a separator SEP, which separates the stream S<sub>2</sub> in three sub-streams: Volatile part VOLATILE, char part CHAR and a stream composed by HCl, NH<sub>3</sub> and H<sub>2</sub>S, called INORG. Then, VOLATILE stream is divided in two sub-streams: VOL and H<sub>2</sub>; the former, after mixing with the oxidizing fluid, goes into the gasifier, GASIF, and the latter is used to simulate tar production in the RYield block TARPROD;. The block TARPROD is necessary since we are in steady-state conditions, and it is not possible to simulate tar formation inside the gasifier GASIF. CHAR stream is split in two sub-streams:

TOGASIF that represents the char reacted in the gasifier and S3 that represents the un-reacted char; the latter is then fed to TARPROD where it reacts with hydrogen from the H<sub>2</sub> stream. The tar is assumed to be a formation of toluene, benzene and naphthalene. The quantities of these tars are set in accordance with literature [29] and proportions of about 60%, 20% and 20% for benzene, toluene and naphthalene, respectively, are maintained [30]. The stream S6 is the stream that represents the real output of the gasifier; in fact, it is made of the union of GASRAW, INORG and TAR streams.

#### 2.4. Gasification Model

The reactions considered in the gasification process are reported in Table 3.

**Table 3.** Gasification reactions [5].

Reaction	Reaction Name	Heat of Reaction	Reaction Number
Heterogeneous reaction			
$C + 0.5 O_2 \rightarrow CO$	Char partial combustion	(−111 MJ·kmol <sup>−1</sup> )	(R4)
$C + H_2O \leftrightarrow CO + H_2$	Water-gas	(+172 MJ·kmol <sup>−1</sup> )	(R5)
Homogeneous reactions			
$H_2 + 0.5 O_2 \rightarrow H_2O$	H <sub>2</sub> partial combustion	(−283 MJ·kmol <sup>−1</sup> )	(R6)
$CO + H_2O \leftrightarrow CO_2 + H_2$	Water gas-shift	(−41 MJ·kmol <sup>−1</sup> )	(R7)
$CH_4 + H_2O \rightarrow CO + 3H_2$	Steam-methane reforming	(+206 MJ·kmol <sup>−1</sup> )	(R8)

Equations (R4) to (R8) of Table 3 are the chemical reactions considered in this work for the gasification process where the oxygen comes from biomass composition, as showed in ultimate analysis, and from air/oxygen stream if air/oxygen gasification is considered. To simulate the gasification process on Aspen Plus, a RGibbs reactor, called GASIF in Figure 1, has been used. This reactor was modelled with the restricted quasi-equilibrium approach, which allows to describe syngas composition more accurately than equilibrium models, as explained in the Introduction. Therefore, the reactions within the reactor (listed in Table 3) are conducted at their QET, rather than at the actual temperature of the gasifier. In order to be more rigorous, a Data Fit of experimental data (about hazelnut or almond shells, since they have very similar characteristics [5], using steam and/or oxygen or air as gasification agent with a gasification temperature from 600 °C to 870 °C and S/B from 0.33 to 1) has been implemented on Aspen Plus (Table 4). In this way, RGibbs gasifier evaluates the chemical equilibrium constant for each reaction at the gasifier temperature, and by that, it provides the equilibrium syngas composition. Since the Data-Fit was made from literature data obtained from experiment carried out with several gasifying agents (steam, air, oxygen or a mix of these) and silica sand as bad material, the model can simulate almost all oxidizing gasification agents (i.e., CO<sub>2</sub> excluded).

**Table 4.** Data-fit.

Test	1 [31]	2 [32]	3 [32]	4 [33]	5 [34]	6 [34]	7 [34]	8 [35]	9 [36]	10 [37]
<i>Operational conditions</i>										
Biomass flow rate (kg/h)	20	0.060	0.060	0.904	0.750	0.750	0.750	0.300	0.300	125
Air flow rate (kg/h)	0	0	0	0	0	0	0	0	0.650	0
Oxygen flow rate (kg/h)	0	0	0	0	0.094	0.188	0.375	0	0	39
Steam flow rate (kg/h)	16	0.048	0.048	0.298	0.375	0.375	0.375	0.300	0	55
Gasifier temperature (°C)	850	600	750	765	855	855	855	770	900	825
<i>Main variable for analysis</i>										
S/B (steam to biomass ratio)	0.800	0.800	0.800	0.330	0.500	0.500	0.500	1.000	0	0.440
<i>Gas composition (mole fraction)</i>										
CO (% <sub>dry</sub> )	0.245	0.217	0.250	0.385	0.242	0.250	0.256	0.332	0.040	0.300
H <sub>2</sub> (% <sub>dry</sub> )	0.349	0.367	0.500	0.478	0.322	0.333	0.348	0.436	0.100	0.315
CO <sub>2</sub> (% <sub>dry</sub> )	0.410	0.250	0.217	0.076	0.347	0.358	0.340	0.117	0.030	0.245
CH <sub>4</sub> (% <sub>dry</sub> )	0.130	0.100	0.067	0.035	0.058	0.055	0.052	0.115	0.070	0.100

### 3. Results and Discussions

In order to demonstrate the feasibility of the developed model with different mix of oxidizing agents, several comparisons with experimental data have been conducted. The comparisons showed that the results predicted by the model are reasonable and near to the real ones.

#### 3.1. Steam Gasification Results and Model Validation

The developed simulation model has been validated using experimental data of Rapagnà and Latif [32] and Karatas and Akgun [38] for steam gasification. Rapagnà and Latif used a lab-scale fluidized-bed reactor as gasifier, at 1 bar and 800 °C and hazelnut shells as biomass feedstock. The lab-scale reactor used by Karatas and Akgun was a fluidized-bed, at 1 bar and 800 °C, and the biomass feedstock used was walnut shells, which have very similar characteristics with respect to hazelnut shells. The comparison of the operative conditions and results of the present model simulation and literature data are reported in Table 5. The discrepancy of the simulative results against experimental values is shown in Table 6.

**Table 5.** Comparison of operating conditions and steam gasification results (stream DRYSYNG) of the present study with literature data.

Results	Case 1		Case 2	
	Model Simulation	Literature Data [32]	Model Simulation	Literature Data [38]
Gasifier type	Fluidized-bed	Fluidized-bed	Fluidized-bed	Fluidized-bed
Bed-material	Silica sand	Silica sand	Silica sand	Silica sand
Biomass feedstock	Hazelnut shells	Hazelnut shells	Hazelnut shells	Walnut shells
Biomass flow rate (kg/h)	0.06	0.06	0.898	0.898
Gasification pressure (bar)	1	1	1	1
Gasification temperature (°C)	800	800	770	770
Oxidising agent	Steam	Steam	Steam	Steam
S/B ratio	0.8	0.8	0.4	0.4
H <sub>2</sub> (%dry mole fraction)	44.2	45.0	31.8	35
CO (%dry mole fraction)	16.7	26.7	20.4	22
CO <sub>2</sub> (%dry mole fraction)	22.1	20	20	15
CH <sub>4</sub> (%dry mole fraction)	5.3	6.0	7.6	8
NH <sub>3</sub> (ppm)	1112.2	Not evaluated	1961.0	Not evaluated
H <sub>2</sub> S (ppm)	1479.1	Not evaluated	2609.5	Not evaluated
HCl (ppm)	1001.3	Not evaluated	1798.0	Not evaluated
Toluene (g/Nm <sup>3</sup> )	4.5	Not evaluated	5.3	Not evaluated
Benzene (g/Nm <sup>3</sup> )	10.6	Not evaluated	12.4	Not evaluated
Naphthalene (g/Nm <sup>3</sup> )	4.5	Not evaluated	7.4	Not evaluated
LHV (MJ/Kg)	9.5	Not evaluated	11.7	10.1
Gas yield (Nm <sup>3</sup> /kg)	1.3	1.5	1.6	Not evaluated

**Table 6.** Discrepancy of simulative results against experimental data.

Results	Case 1	Case 2
H <sub>2</sub> (%dry mole fraction)	1.7%	9.1%
CO (%dry mole fraction)	37.4%	7.2%
CO <sub>2</sub> (%dry mole fraction)	10.5%	33%
CH <sub>4</sub> (%dry mole fraction)	12%	5%

The comparison of the resulting composition values with the literature ones, reported in Table 5, shows a comparable product syngas composition (the difference is below 10% for the main gas, i.e., H<sub>2</sub>, below 38% for CO and CO<sub>2</sub> and below 15% for CH<sub>4</sub>). The under or the over prediction of CH<sub>4</sub> is an ordinary issue in the simulative modelling since tar is not considered in the equilibrium models and it is simulated apart from the gasifier block. The underproduction of CO and the overproduction of CO<sub>2</sub> might be caused by the fact that the steam kinetic factors were not taken into account in the simulation. Indeed, steam lowers the gas speed and thus causes an increase in residence time and

favors the dissociation of  $H_2O$ . Therefore, the conversion of char and heavy hydrocarbons into light ones (i.e., CO) was favored. The production of tar and inorganic contaminants is not evaluated by Rapagnà and Latif and Karatas and Akgun; however, the results obtained for toluene, benzene and naphthalene agree with other literature experimental sources [25,29,39]. Zhou et al. reported that the concentration of  $NH_3$  in the gasification product is between 500 to 30,000 ppm, depending on the nitrogen content of the biomass feedstock and the gasifier conditions [40]. The concentration of  $H_2S$  reported in literature ranges from 1000 to 14,000 ppm in the raw syngas [41], and the concentration of HCl is around 750 ppm [41].

### 3.2. Effect of Steam to Biomass (S/B) Ratio

A sensitivity analysis is carried out in order to evaluate the effect of the S/B ratio on the hazelnut shell-derived syngas composition that comes from the gasifier at the fixed temperature of 800 °C. In Figure 2, the trend of the dry molar fraction of each component is reported against S/B ratio. The concentration of  $H_2$  and  $CO_2$  rises with the rise of S/B ratio, and the concentrations of CO and  $CH_4$  decrease with S/B ratio. Increasing steam favors the water-gas reaction and steam methane reforming reactions resulting in an increase of  $H_2$  and CO concentrations; however, the CO concentration decreases with increasing S/B ratio due to the water-gas shift reaction, which reduces CO reacting with steam and increases  $H_2$  and  $CO_2$  concentrations. Similar trends were reported in literature references [42,43].

### 3.3. Effect of Gasification Temperature on Syngas Composition

A sensitivity analysis is carried out in order to evaluate the effect of the gasification temperature on the hazelnut shells-derived syngas composition, keeping the S/B ratio fixed at 0.8. In Figure 3, the trend of the syngas composition as a function of the temperature in the range 770–880 °C is shown. It can be observed that  $H_2$  and CO concentrations increase with the increase of temperature, due to the endothermic reactions R5 (water–gas) and R8 (steam methane reforming). On the other hand, the increase of temperature causes the decrease of  $CO_2$ ,  $CH_4$  and  $H_2O$ . The decrease of  $CO_2$  production depends on reaction R7 (water–gas shift) that is exothermic, being favored at low temperatures, and for this reason, the higher temperature means higher CO and lower  $CO_2$  production. Similar trends were observed by [5,44].

### 3.4. Air-Steam Gasification Results and Model Validation

The developed simulation model has been validated using experimental data of Lv et al. [45] for air-steam gasification. The experimental set-up was a fluidized-bed reactor, operated at 1 bar and 800 °C, and the biomass feedstock used was pine sawdust, which presents very similar characteristics with respect to hazelnut shells, except for the inorganics that are not considered. The comparison of the operative conditions and results of the present model simulation and literature data are reported in Table 7. The discrepancy of the simulative results against experimental values is shown in Table 8.

The comparison of the resulting composition values with the literature ones, reported in Table 7, shows a comparable product syngas composition (the difference is 6% for the main gas, i.e.,  $H_2$ , below 18% for CO and  $CO_2$  and 80% for  $CH_4$ , but it has already been mentioned previously that  $CH_4$  is under- or over-predicted). Tar production was not evaluated by Lv et al., but as for the case mentioned previously in the text, the results obtained for toluene, benzene and naphthalene agree with other literature experimental sources [25,29,39], and the same goes for the inorganic compounds' concentration.



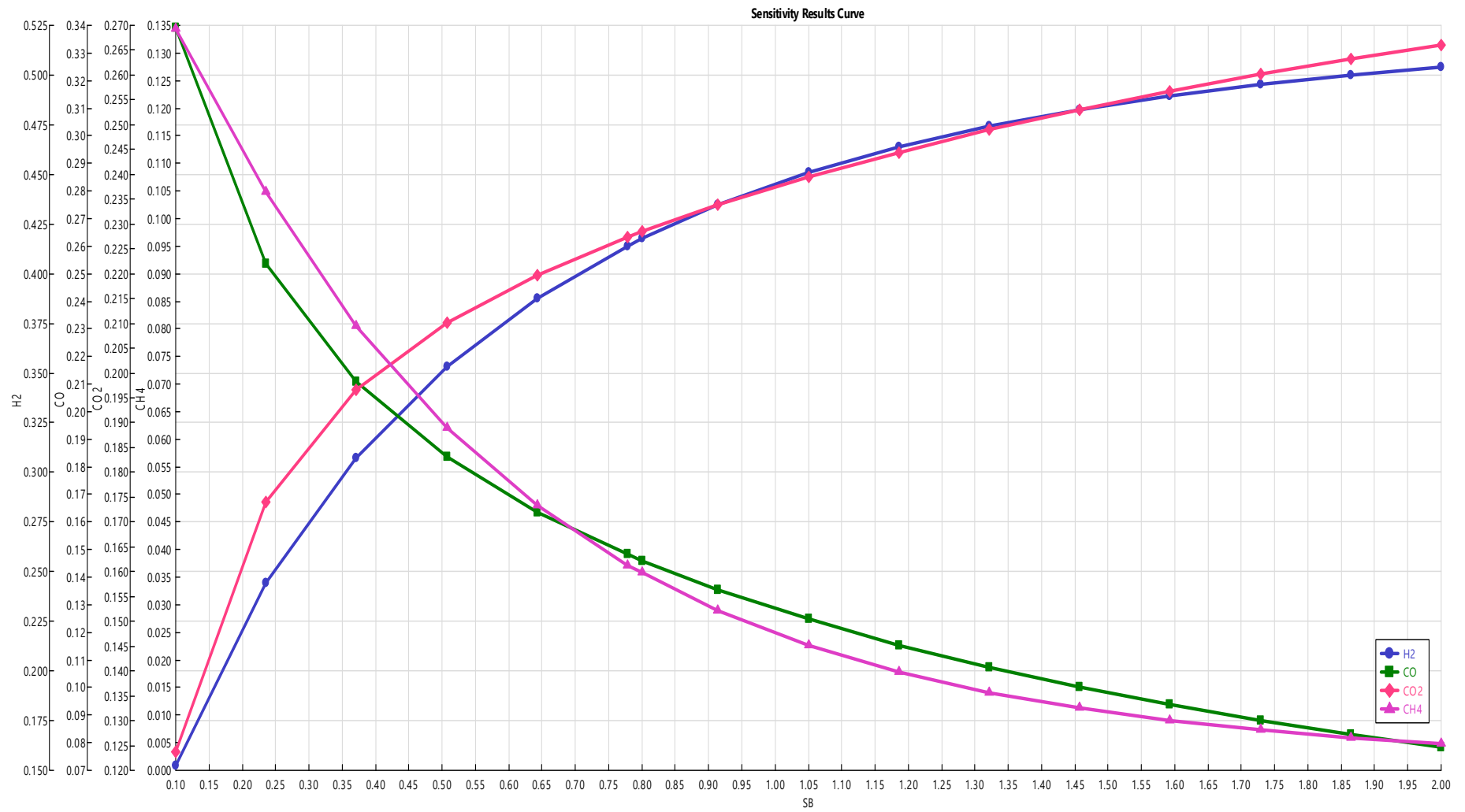


Figure 2. Effect of S/B ratio on syngas composition.

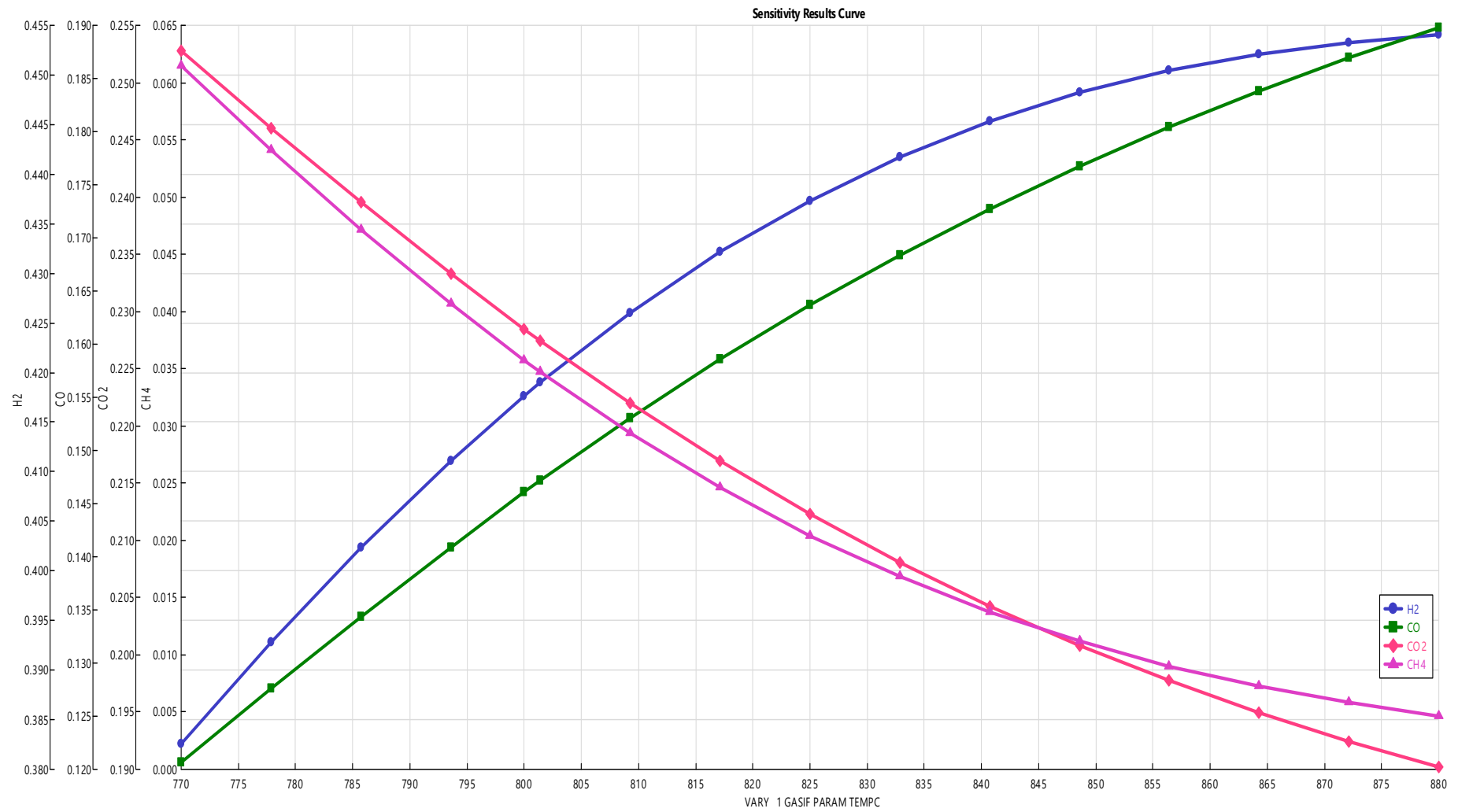


Figure 3. Effect of temperature on syngas composition.

**Table 7.** Comparison of operating conditions and air-steam gasification results (stream S10) of the present study with literature.

Results	Model Simulation	Literature Data [45]
Gasifier type	Fluidized-bed	Fluidized-bed
Bed-material	Silica sand	Silica sand
Biomass feedstock	Hazelnut shells	Pine sawdust
Biomass flow rate (kg/h)	0.445	0.445
Gasification pressure (bar)	1	1
Gasification temperature (°C)	800	800
Oxidising agent	Steam and air	Steam and air
S/B ratio	0.5	0.5
ER	0.2	0.2
H <sub>2</sub> (%dry mole fraction)	35.0	33.0
CO (%dry mole fraction)	18.0	17.0
CO <sub>2</sub> (%dry mole fraction)	34.6	42.0
CH <sub>4</sub> (%dry mole fraction)	1.2	5.5
NH <sub>3</sub> (ppm)	2095.1	Not evaluated
H <sub>2</sub> S (ppm)	2787.1	Not evaluated
HCl (ppm)	1621.3	Not evaluated
Toluene (g/Nm <sup>3</sup> )	6.5	Not evaluated
Benzene (g/Nm <sup>3</sup> )	15.3	Not evaluated
Naphthalene (g/Nm <sup>3</sup> )	9.4	Not evaluated
LHV (MJ/Kg)	5	6
Gas yield (Nm <sup>3</sup> /kg)	1.2	2

**Table 8.** Discrepancy of simulative results against experimental data.

Results	
H <sub>2</sub> (%dry mole fraction)	6.0%
CO (%dry mole fraction)	5.8%
CO <sub>2</sub> (%dry mole fraction)	17.6%
CH <sub>4</sub> (%dry mole fraction)	78.0%

### 3.5. Steam-Oxygen Gasification Results and Model Validation

Experimental data is rarer regarding steam-oxygen; therefore, the developed simulation model has been validated using experimental data of Barisano et al. [46] for steam-oxygen gasification that used olivine instead of silica sand as bed material and almond instead of hazelnut shells as biomass. Almond shells have very similar characteristics respect to the hazelnut shells, and the olivine is well known to have a WGS catalyst effect (so the H<sub>2</sub> and CO<sub>2</sub> contents will be higher meanwhile CO lower). The experimental set-up used by Barisano et al. was a fluidized-bed reactor, worked at 1 bar and 850 °C. The comparison of the operative conditions and results of the present model simulation and literature data are reported in Table 9. The discrepancy of the simulative results against experimental values is shown in Table 10.

The comparison of the resulting composition values with the literature ones, reported in Table 9, shows a comparable product syngas composition (the difference is 16% for the main gas, i.e., H<sub>2</sub>, below 16% for CO and CO<sub>2</sub> and 58% for CH<sub>4</sub>, but it has already been mentioned previously that CH<sub>4</sub> is under- or over-predicted). Thus, even if olivine was used as bed material, the difference of H<sub>2</sub>, CO and CO<sub>2</sub> are similar to the previous ones. Tar production was not evaluated by Barisano et al., but as for the case mentioned previously in the text, the results obtained for toluene, benzene and naphthalene agree with other literature experimental sources [25,29,46] and the same goes for the inorganic contaminants concentration.

**Table 9.** Comparison of operating conditions and steam-oxygen gasification results (stream S10) of the present study with literature.

Results	Model Simulation	Literature Data [46]
Gasifier type	Fluidized-bed	Fluidized-bed
Bed-material	Silica sand	Olivine
Biomass feedstock	Hazelnut shells	Almond shells
Biomass flow rate (kg/h)	122	122
Gasification pressure (bar)	1	1
Gasification temperature (°C)	850	850
Oxidising agent	Steam and oxygen	Steam and oxygen
S/B ratio	0.4	0.4
Oxygen flow rate (kg/h)	44.0	44.0
H <sub>2</sub> (%dry mole fraction)	24.2	28.9
CO (%dry mole fraction)	25.1	21.7
CO <sub>2</sub> (%dry mole fraction)	28.7	31.8
CH <sub>4</sub> (%dry mole fraction)	4.0	9.5
NH <sub>3</sub> (ppm)	2357.1	Not evaluated
H <sub>2</sub> S (ppm)	3136.1	Not evaluated
HCl (ppm)	1790.3	Not evaluated
Toluene (g/Nm <sup>3</sup> )	7.2	Not evaluated
Benzene (g/Nm <sup>3</sup> )	17.0	Not evaluated
Naphthalene (g/Nm <sup>3</sup> )	10.0	Not evaluated
LHV (MJ/Kg)	14.83	15.0
Gas yield (Nm <sup>3</sup> /kg)	1.1	1.1

**Table 10.** Discrepancy of simulative results against experimental data.

Results	
H <sub>2</sub> (%dry mole fraction)	16.3%
CO (%dry mole fraction)	15.6%
CO <sub>2</sub> (%dry mole fraction)	9.7%
CH <sub>4</sub> (%dry mole fraction)	57.9%

#### 4. Conclusions

In the last decades, biomass gasification technology has been established as a viable technique for the conversion of many solid biomass residues in valuable syngas that can generate electricity and heat via cogeneration devices such as combustion engines, turbines or fuel cells or produce biofuels or chemicals. In order to optimize gasifier design and its operation with minimal time and costs, models that do not require specific information on the dimensions, capacity and structure of the reactor but that at the same time can give accurate descriptions of syngas composition are needed. Quasi-equilibrium temperature models seem to provide an answer to this problem, but there is no model in literature that encompasses air/steam/oxygen gasification including inorganic (hydrogen sulphide, hydrogen chloride and ammonia) and organic (toluene, benzene and naphthalene) contaminants. In order to develop a model that can be applied to almost all the combinations of oxidizing agents, a Data-Fit of experimental data carried out with several gasifying agents (steam, air, oxygen or a mix of these) has been taken from literature. The model has been validated using the most abundant lignocellulosic waste (here hazelnut shell) and the most used oxidizing agents (S/B ratio at 0.4 and 0.8; steam at 0.5 and ER at 0.2; S/B ratio at 0.4 and oxygen to biomass ratio at 0.36) showing good correlation between simulative and experimental data. The maximum value of discrepancy for the hydrogen concentration, which is the main component of the gasification gas, is of 16.3%. Moreover, the sensitivity analysis has showed similar trends to the ones reported in literature. Thus, the model can be used to simulate composition and contaminants of different gasification processes without taking into account specific

information on the dimensions, capacity and structure of the reactor but, nevertheless, being able to have results not too different from experimental ones.

**Author Contributions:** Conceptualization, E.B.; methodology, V.M., E.B.; software, V.M.; validation, V.M., E.B.; resources, E.B.; data curation, V.M.; writing—original draft preparation, V.M.; writing—review and editing, V.M., E.B. and D.M.; supervision, E.B. and D.M.; project administration, E.B.; funding acquisition, E.B. All authors have read and agreed to the published version of the manuscript.

**Funding:** This research was funded by the European Union’s Horizon 2020 research and innovation program under grant agreement No. 815284.

**Conflicts of Interest:** The authors declare no conflict of interest.

## References

1. Villarini, M.; Marcantonio, V.; Colantoni, A.; Bocci, E.; Villarini, M.; Marcantonio, V.; Colantoni, A.; Bocci, E. Sensitivity Analysis of Different Parameters on the Performance of a CHP Internal Combustion Engine System Fed by a Biomass Waste Gasifier. *Energies* **2019**, *12*, 688. [[CrossRef](#)]
2. Colantoni, A.; Villarini, M.; Marcantonio, V.; Gallucci, F.; Cecchini, M. Performance Analysis of a Small-Scale ORC Trigenation System Powered by the Combustion of Olive Pomace. *Energies* **2019**, *12*, 2279. [[CrossRef](#)]
3. Qi, T.; Lei, T.; Yan, B.; Chen, G.; Li, Z.; Fatehi, H.; Wang, Z.; Bai, X.-S. Biomass Steam Gasification in Bubbling Fluidized Bed for Higher-H<sub>2</sub> Syngas: CFD Simulation with Coarse Grain Model. *Int. J. Hydrog. Energy* **2019**, *44*, 6448–6460. [[CrossRef](#)]
4. Tian, T.; Li, Q.; He, R.; Tan, Z.; Zhang, Y. Effects of Biochemical Composition on Hydrogen Production by Biomass Gasification. *Int. J. Hydrog. Energy* **2017**, *42*, 19723–19732. [[CrossRef](#)]
5. Marcantonio, V.; De Falco, M.; Capocelli, M.; Bocci, E.; Colantoni, A.; Villarini, M. Process Analysis of Hydrogen Production from Biomass Gasification in Fluidized Bed Reactor with Different Separation Systems. *Int. J. Hydrog. Energy* **2019**, *44*, 10350–10360. [[CrossRef](#)]
6. Li, X.T.; Grace, J.R.; Lim, C.J.; Watkinson, A.P.; Chen, H.P.; Kim, J.R. Biomass Gasification in a Circulating Fluidized Bed. *Biomass Bioenergy* **2004**, *26*, 171–193. [[CrossRef](#)]
7. Fremaux, S.; Beheshti, S.-M.; Ghassemi, H.; Shahsavani-Markadeh, R. An Experimental Study on Hydrogen-Rich Gas Production via Steam Gasification of Biomass in a Research-Scale Fluidized Bed. *Energy Convers. Manag.* **2015**, *91*, 427–432. [[CrossRef](#)]
8. Ngoc Lan Thao, N.T.; Chiang, K.-Y.; Wan, H.-P.; Hung, W.-C.; Liu, C.-F. Enhanced Trace Pollutants Removal Efficiency and Hydrogen Production in Rice Straw Gasification Using Hot Gas Cleaning System. *Int. J. Hydrog. Energy* **2019**, *44*, 3363–3372. [[CrossRef](#)]
9. Puig-Arnau, M.; Bruno, J.C.; Coronas, A. Review and Analysis of Biomass Gasification Models. *Renew. Sustain. Energy Rev.* **2010**, *14*, 2841–2851. [[CrossRef](#)]
10. An, H.; Song, T.; Shen, L.; Qin, C.; Yin, J.; Feng, B. Coal Gasification with in Situ CO<sub>2</sub> Capture by the Synthetic CaO Sorbent in a 1 KWth Dual Fluidised-Bed Reactor. *Int. J. Hydrog. Energy* **2012**, *37*, 14195–14204. [[CrossRef](#)]
11. Ahmed, T.Y.; Ahmad, M.M.; Yusup, S.; Inayat, A.; Khan, Z. Mathematical and Computational Approaches for Design of Biomass Gasification for Hydrogen Production: A Review. *Renew. Sustain. Energy Rev.* **2012**, *16*, 2304–2315. [[CrossRef](#)]
12. Doherty, W.; Reynolds, A.; Kennedy, D. *Aspen plus simulation of biomass gasification in a steam blown dual fluidised bed*; Book Chapter: Materials and processes for energy: communicating current research and technological developments; Méndez-Vilas, A., Ed.; Formatex Research Centre: Badajoz, Spain, 2013.
13. Pala, L.P.R.; Wang, Q.; Kolb, G.; Hessel, V. Steam Gasification of Biomass with Subsequent Syngas Adjustment Using Shift Reaction for Syngas Production: An Aspen Plus Model. *Renew. Energy* **2017**, *101*, 484–492. [[CrossRef](#)]
14. Patra, T.K.; Sheth, P.N. Biomass Gasification Models for Downdraft Gasifier: A State-of-the-Art Review. *Renew. Sustain. Energy Rev.* **2015**, *50*, 583–593. [[CrossRef](#)]
15. Nikoo, M.B.; Mahinpey, N. Simulation of Biomass Gasification in Fluidized Bed Reactor Using ASPEN PLUS. *Biomass Bioenergy* **2008**, *32*, 1245–1254. [[CrossRef](#)]
16. Basu, P. *Biomass Gasification and Pyrolysis: Practical Design and Theory*; Academic Press: Burlington, MA, USA, 2010.

17. Ahmed, A.M.A.; Salmiaton, A.; Choong, T.S.Y.; Azlina, W.W. Review of Kinetic and Equilibrium Concepts for Biomass Tar Modeling by Using Aspen Plus. *Renew. Sustain. Energy Rev.* **2015**, *52*, 1623–1644. [CrossRef]
18. Baruah, D.; Baruah, D.C. Modeling of Biomass Gasification: A Review. *Renew. Sustain. Energy Rev.* **2014**, *39*, 806–815. [CrossRef]
19. Paviet, F.; Chazarenc, F.; Tazerout, M. Thermo Chemical Equilibrium Modelling of a Biomass Gasifying Process Using ASPEN PLUS. *Int. J. Chem. React. Eng.* **2019**, *7*. Available online: [https://www.researchgate.net/publication/245418963\\_Thermo\\_Chemical\\_Equilibrium\\_Modelling\\_of\\_a\\_Biomass\\_Gasifying\\_Process\\_Using\\_ASPEN\\_PLUS](https://www.researchgate.net/publication/245418963_Thermo_Chemical_Equilibrium_Modelling_of_a_Biomass_Gasifying_Process_Using_ASPEN_PLUS) (accessed on 19 December 2019). [CrossRef]
20. Gumz, W. *Gas Producers and Blast Furnaces*; John Wiley & Sons: Hoboken, NJ, USA, 1950.
21. Arteaga-Pérez, L.E.; Casas-Ledón, Y.; Pérez-Bermúdez, R.; Peralta, L.M.; Dewulf, J.; Prins, W. Energy and Exergy Analysis of a Sugar Cane Bagasse Gasifier Integrated to a Solid Oxide Fuel Cell Based on a Quasi-Equilibrium Approach. *Chem. Eng. J.* **2013**, *228*, 1121–1132. [CrossRef]
22. Mirmoshtaghi, G.; Li, H.; Thorin, E.; Dahlquist, E. Evaluation of Different Biomass Gasification Modeling Approaches for Fluidized Bed Gasifiers. *Biomass Bioenergy* **2016**, *91*, 69–82. [CrossRef]
23. Monarca, D.; Colantoni, A.; Cecchini, M.; Longo, L.; Vecchione, L.; Carlini, M.; Manzo, A. Energy Characterization and Gasification of Biomass Derived by Hazelnut Cultivation: Analysis of Produced Syngas by Gas Chromatography. *Math. Probl. Eng.* **2012**, *2012*, 1–9. [CrossRef]
24. Monarca, D.; Cecchini, M.; Guerrieri, M.; Colantoni, A. Conventional And Alternative Use Of Biomasses Derived By Hazelnut Cultivation And Processing. *Acta Hort.* **2009**, *845*, 627–634. [CrossRef]
25. Di Carlo, A.; Borello, D.; Sisinni, M.; Savuto, E.; Venturini, P.; Bocci, E.; Kuramoto, K. Reforming of Tar Contained in a Raw Fuel Gas from Biomass Gasification Using Nickel-Mayenite Catalyst. *Int. J. Hydrog. Energy* **2015**, *40*, 9088–9095. [CrossRef]
26. Ye, G.; Xie, D.; Qiao, W.; Grace, J.R.; Lim, C.J. Modeling of Fluidized Bed Membrane Reactors for Hydrogen Production from Steam Methane Reforming with Aspen Plus. *Int. J. Hydrog. Energy* **2009**, *34*, 4755–4762. [CrossRef]
27. Sadaka, S.S.; Ghaly, A.E.; Sabbah, M.A. Two Phase Biomass Air-Steam Gasification Model for Fluidized Bed Reactors: Part I—Model Development. *Biomass Bioenergy* **2002**, *22*, 439–462. [CrossRef]
28. Demirbaş, A. Carbonization Ranking of Selected Biomass for Charcoal, Liquid and Gaseous Products. *Energy Convers. Manag.* **2001**, *42*, 1229–1238. [CrossRef]
29. Rapagnà, S.; Orazio, A.D.; Gallucci, K.; Ugo, P. Hydrogen Rich Gas from Catalytic Steam Gasification of Biomass in a Fluidized Bed Containing Catalytic Filters. *Chem. Eng. Trans.* **2014**, *37*, 157–162.
30. Damartzis, T.; Michailos, S.; Zabaniotou, A. Energetic Assessment of a Combined Heat and Power Integrated Biomass Gasification-Internal Combustion Engine System by Using Aspen Plus®. *Fuel Process. Technol.* **2012**, *95*, 37–44. [CrossRef]
31. Koppatz, S.; Pfeifer, C.; Hofbauer, H. Comparison of the performance behaviour of silica sand and olivine in a dual fluidised bed reactor system for steam gasification of biomass at pilot plant scale. *Chem. Eng. J.* **2011**, *175*, 468–483. [CrossRef]
32. Serigio, R.; Ajmal, L. Steam Gasification of Almond Shells in a Fluidised Bed Reactor: The Influence of Temperature and Particle Size on Product Yield and Distribution. *Biomass Bioenergy* **1997**, *12*, 281–288.
33. Karatas, H.; Olgun, H.; Akgun, F. Experimental Results of Gasification of Cotton Stalk and Hazelnut Shell in a Bubbling Fluidized Bed Gasifier under Air and Steam Atmospheres. *Fuel* **2013**, *112*, 494–501. [CrossRef]
34. Barisano, D.; Canneto, G.; Nanna, F.; Villone, A.; Alvino, E.; Carnevale, M.; Pinto, G. Production of Gaseous Carriers via Biomass Gasification for Energy Purposes. *Energy Procedia* **2014**, *45*, 2–11. [CrossRef]
35. Rapagnà, S.; Jand, N.; Kiennemann, A.; Foscolo, P.U. Steam-Gasification of Biomass in a Fluidised-Bed of Olivine Particles. *Biomass Bioenergy* **2000**, *19*, 187–197. [CrossRef]
36. Esfahani, R.M.; Wan Ab Karim Ghani, W.A.; Mohd Salleh, M.A.; Ali, S. Hydrogen-Rich Gas Production from Palm Kernel Shell by Applying Air Gasification in Fluidized Bed Reactor. *Energy Fuels* **2012**, *26*, 1185–1191. [CrossRef]
37. Barisano, D.; Canneto, G.; Nanna, F.; Alvino, E.; Pinto, G.; Villone, A.; Carnevale, M.; Valerio, V.; Battafarano, A.; Braccio, G. Steam/Oxygen Biomass Gasification at Pilot Scale in an Internally Circulating Bubbling Fluidized Bed Reactor. *Fuel Process. Technol.* **2016**, *141*, 74–81. [CrossRef]
38. Karatas, H.; Akgun, F. Experimental Results of Gasification of Walnut Shell and Pistachio Shell in a Bubbling Fluidized Bed Gasifier under Air and Steam Atmospheres. *Fuel* **2018**, *214*, 285–292. [CrossRef]

39. Savuto, E.; Di Carlo, A.; Bocci, E.; D'Orazio, A.; Villarini, M.; Carlini, M.; Foscolo, P.U. Development of a CFD Model for the Simulation of Tar and Methane Steam Reforming through a Ceramic Catalytic Filter. *Int. J. Hydrog. Energy* **2015**, *40*, 7991–8004. [[CrossRef](#)]
40. Zhou, L.; Yang, Z.; Tang, A.; Huang, H.; Wei, D.; Yu, E.; Lu, W. Steam-Gasification of Biomass with CaO as Catalyst for Hydrogen-Rich Syngas Production. *J. Energy Inst.* **2019**, *92*, 1641–1646. [[CrossRef](#)]
41. Dou, B.; Wang, C.; Chen, H.; Song, Y.; Xie, B.; Xu, Y.; Tan, C. Research Progress of Hot Gas Filtration, Desulphurization and HCl Removal in Coal-Derived Fuel Gas: A Review. *Chem. Eng. Res. Des.* **2012**, *90*, 1901–1917. [[CrossRef](#)]
42. Florin, N.H.; Harris, A.T. Hydrogen Production from Biomass Coupled with Carbon Dioxide Capture: The Implications of Thermodynamic Equilibrium. *Int. J. Hydrog. Energy* **2007**, *32*, 4119–4134. [[CrossRef](#)]
43. Inayat, A.; Ahmad, M.M.; Yusup, S.; Mutalib, M.I.A.; Inayat, A.; Ahmad, M.M.; Yusup, S.; Mutalib, M.I.A. Biomass Steam Gasification with In-Situ CO<sub>2</sub> Capture for Enriched Hydrogen Gas Production: A Reaction Kinetics Modelling Approach. *Energies* **2010**, *3*, 1472–1484. [[CrossRef](#)]
44. Puig-Gamero, M.; Argudo-Santamaria, J.; Valverde, J.L.; Sánchez, P.; Sanchez-Silva, L. Three Integrated Process Simulation Using Aspen Plus®: Pine Gasification, Syngas Cleaning and Methanol Synthesis. *Energy Convers. Manag.* **2018**, *177*, 416–427. [[CrossRef](#)]
45. Lv, P.; Xiong, Z.; Chang, J.; Wu, C.; Chen, Y.; Zhu, J. An Experimental Study on Biomass Air–steam Gasification in a Fluidized Bed. *Bioresour. Technol.* **2004**, *95*, 95–101. [[CrossRef](#)] [[PubMed](#)]
46. Barisano, D.; Cannelto, G.; Nanna, F.; Villone, A.; Rep, M.; Oudenhoven, T. *UNIFHY 1000 Long Term Tests and Further Hardware Modifications*; Deliverable 5.2, Restricted report, UNIFHY Project #299732 in FP7; 2016.



© 2019 by the authors. Licensee MDPI, Basel, Switzerland. This article is an open access article distributed under the terms and conditions of the Creative Commons Attribution (CC BY) license (<http://creativecommons.org/licenses/by/4.0/>).