

# A Voltage and Frequency Control Strategy for Stand-Alone Full Converter Wind Energy Conversion Systems

## **Authors:**

Andrés Peña Asensio, Santiago Arnaltes Gómez, Jose Luis Rodriguez-Amenedo, Manuel García Plaza, Joaquín Eloy-García Carrasco, Jaime Manuel Alonso-Martínez de las Morenas

*Date Submitted:* 2020-02-24

*Keywords:* isolated operation, voltage-sourced converter, full converter (FC), permanent magnet synchronous generators (PMSGs), frequency regulation, wind energy

## *Abstract:*

This paper addresses the design and analysis of a voltage and frequency control (VFC) strategy for full converter (FC)-based wind energy conversion systems (WECSs) and its applicability for the supply of an isolated load. When supplying an isolated load, the role of the back-to-back converters in the FC must change with respect to a grid-connected application. Voltage and frequency are established by the FC line side converter (LSC), while the generator side converter (GSC) is responsible for maintaining constant voltage in the DC link. Thus, the roles of the converters in the WECS are inverted. Under such control strategies, the LSC will automatically supply the load power and hence, in order to maintain a stable operation of the WECS, the wind turbine (WT) power must also be controlled in a load-following strategy. The proposed VFC is fully modelled and a stability analysis is performed. Then, the operation of the WECS under the proposed VFC is simulated and tested on a real-time test bench, demonstrating the performance of the VFC for the isolated operation of the WECS.

*Record Type:* Published Article

*Submitted To:* LAPSE (Living Archive for Process Systems Engineering)

*Citation (overall record, always the latest version):*

LAPSE:2020.0248

*Citation (this specific file, latest version):*

LAPSE:2020.0248-1

*Citation (this specific file, this version):*

LAPSE:2020.0248-1v1

*DOI of Published Version:* <https://doi.org/10.3390/en11030474>

*License:* Creative Commons Attribution 4.0 International (CC BY 4.0)

Article

# A Voltage and Frequency Control Strategy for Stand-Alone Full Converter Wind Energy Conversion Systems

Andrés Peña Asensio \* , Santiago Arnaltes Gómez , Jose Luis Rodriguez-Amenedo, Manuel García Plaza, Joaquín Eloy-García Carrasco  and Jaime Manuel Alonso-Martínez de las Morenas

Electrical Engineering Department, Carlos III University of Madrid, Av. de la Universidad 30, Leganés, 28911 Madrid, Spain; arnalte@ing.uc3m.es (S.A.G.); amenedo@ing.uc3m.es (J.L.R.-A.); manuelgarcia plaza@gmail.com (M.G.P.); jeloygar@ing.uc3m.es (J.E.-G.C.); jalonsom@ing.uc3m.es (J.M.A.-M.d.I.M.)

\* Correspondence: anpenaa@ing.uc3m.es

Received: 26 January 2018; Accepted: 20 February 2018; Published: 25 February 2018

**Abstract:** This paper addresses the design and analysis of a voltage and frequency control (VFC) strategy for full converter (FC)-based wind energy conversion systems (WECSs) and its applicability for the supply of an isolated load. When supplying an isolated load, the role of the back-to-back converters in the FC must change with respect to a grid-connected application. Voltage and frequency are established by the FC line side converter (LSC), while the generator side converter (GSC) is responsible for maintaining constant voltage in the DC link. Thus, the roles of the converters in the WECS are inverted. Under such control strategies, the LSC will automatically supply the load power and hence, in order to maintain a stable operation of the WECS, the wind turbine (WT) power must also be controlled in a load-following strategy. The proposed VFC is fully modelled and a stability analysis is performed. Then, the operation of the WECS under the proposed VFC is simulated and tested on a real-time test bench, demonstrating the performance of the VFC for the isolated operation of the WECS.

**Keywords:** wind energy; frequency regulation; permanent magnet synchronous generators (PMSGs); full converter (FC); voltage-sourced converter; isolated operation

---

## 1. Introduction

Among renewable energies, wind energy conversion systems (WECSs) are some of the most relevant, with more than 432 GW installed by 2015 [1]. Research and integration of wind turbines (WTs) and voltage-sourced converters (VSCs) have increased the possibilities for application of wind energy and improved its controllability [2].

Control and operation of WECSs have been widely studied in the literature. Mainly, these studies have focused on grid-connected operations, [3–5], lately including grid-supporting functions such as frequency support [6,7].

The system proposed in the paper differs from the classical application of WECSs in that it is not designed to extract the available wind power but to supply the power demanded by the load. In such situations, the proposed control system ensures that the WECS can supply the demand without the need for additional power sources.

One of the first studies concerning the supply of an isolated load from a WECS was carried out by [8] employing a doubly-fed induction generator (DFIG). Further studies on this topic, when the generator is connected to an unbalanced system, have been published by the same research group [9,10]. While in these studies an indirect flux control was proposed, in [11] a direct flux control is employed.

DFIGs have also been successfully included in more complex microgrid systems through the use of droop control systems [12].

However, there has been little research about full converter (FC)-based WECSs, where the role of the power converters changes significantly compared to DFIGs [13]. Moreover, since standalone applications usually require low to medium power WECSs, FC solutions using permanent magnet synchronous generators (PMSGs) and squirrel-cage induction generators (SCIGs) seem more suitable than DFIGs [14,15].

FC stand-alone control systems are proposed in [16–20]. In [16], the GSC is controlled using a maximum power point tracking (MPPT) strategy, while the line side converter (LSC) controls the DC voltage. Power balance is achieved by a dump resistor connected at the DC bus. In [17] and [18] the voltage control is performed in an open loop and there is no control of the inverter current. Moreover, in these studies the effect of wind variation on the load balancing is not analysed. A similar study is presented in [19] but employing a current-sourced converter. This scheme is analysed in [20] for sudden unbalanced operating conditions when feeding three isolated single phase loads.

Most studies related to isolated operation have focused primarily on the generator control through laboratory testing using a primary mover capable of supplying power whenever it is demanded by the isolated load. However, in a real standalone operation of a WECS, a key concern is how to balance generation and load. To face this problem several authors have suggested the integration of more than a source [21–25] in the so-called hybrid systems, where energy storage systems (ESSs) and diesel generators play a significant role in power balancing. In [21] a FC system is connected in parallel to a battery ESS with little insight in the voltage and frequency control (VFC). The WECS is commanded to follow a MPPT strategy and the ESS performs the power balance. In [22] the diesel generator is replaced by a photovoltaic (PV) system. A small battery ESS and a dump load are used to balance power. In [23] the isolated system is fed through a fixed speed WT and a battery ESS.

In this paper, a different approach is presented. The roles of the converters in the WECS are inverted from usual FC applications so the WECS LSC controls AC voltage and frequency while the generator side converter (GSC) is responsible for maintaining constant voltage in the DC link. Also, instead of using a dummy load or an additional power source, as in hybrid systems, power balance is achieved by the speed regulation of the WT through pitch angle control.

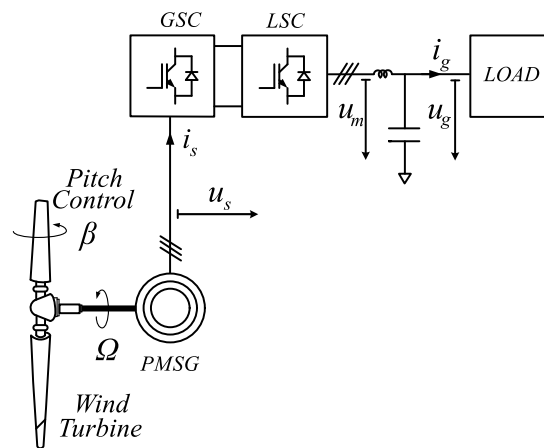
On top of that, a VFC is proposed, based on the orientation of the output voltage vector along a synchronous axis rotating at the reference frequency. The ability of the VFC to maintain the stator voltage oriented toward the synchronous reference axis means that constant voltage and frequency are obtained, which in turn means that the demanded active and reactive powers are supplied by the FC. In order to implement such principles, a new approach is proposed in this paper where the variations in the LSC filter capacitor voltage will provide the information needed for balancing active and reactive power in the isolated system. The LSC currents are also controlled to avoid large excursions and protect the converter against overcurrents [26].

In Section 2, dynamic models of the different elements are presented. Using these models, in Section 3 the proposed control strategies are explained. The proposed system dynamics and stability are analysed in Section 4.

Simulation results, using both the state-space model and a detailed switching model in PSIM are presented and discussed in Section 5 to demonstrate the capabilities and contributions of the proposed control scheme. Experimental results on a real-time test bench have also been obtained for further demonstration of the control operation.

## 2. System Model

To properly understand the system behaviour, mathematical models of the different components of the system are presented. A scheme of the system is presented in Figure 1 which includes the WT, the PMSG, the back-to-back converter, and the isolated load.



**Figure 1.** Complete system scheme. PMSG: permanent magnet synchronous generator; LSC: line side converter; GSC: generator side converter.

The system model is divided in three subsections. First, in the WT model, the relationship between the blade pitch angle  $\beta$  and the WT power and rotational speed will be illustrated. Then, the PMSG model will serve as a basis for the GSC control, responsible for maintaining constant DC link voltage despite variations in the generator voltage and frequency. Finally, the front-end converter is modelled in the state space. This model will be used later in Section 3 to derive the VFC.

### 2.1. Wind Turbine Model

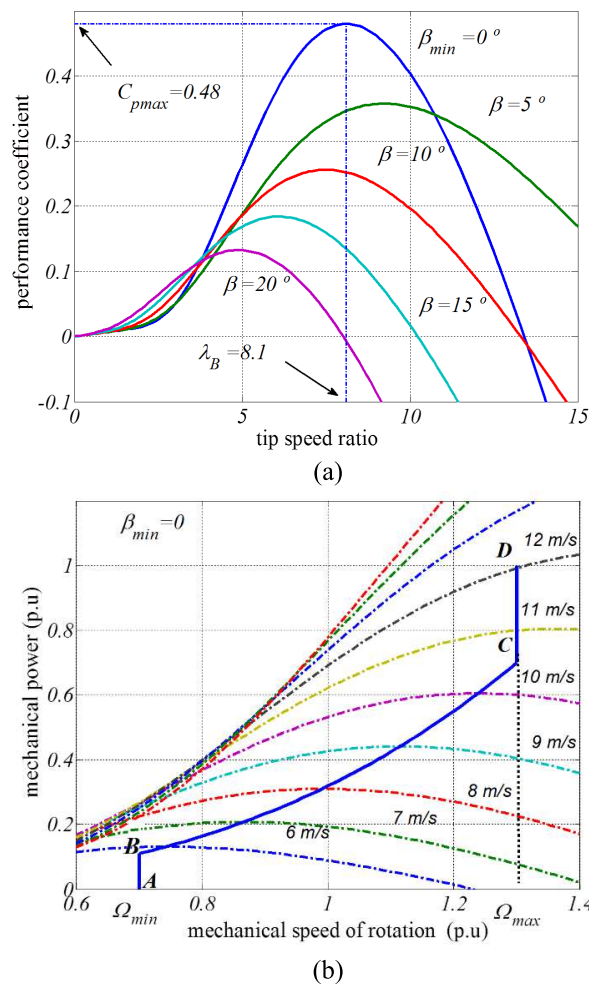
The aerodynamic model is based on the power characteristics of the WT. The mechanical power of the turbine is given by the equation

$$P_m = \frac{1}{2} \rho A v^3 C_p(\lambda, \beta), \quad (1)$$

where  $\rho$  is the air density,  $A$  is the WT rotor area,  $v$  is the wind velocity, and  $C_p$  is the power coefficient of the WT, which is a function of the tip speed ratio,  $\lambda$ , and the blade pitch angle,  $\beta$ . A generic equation was used to model the function  $C_p(\lambda, \beta)$ . This equation is based on the turbine characteristics of [27].

The relationship between the power coefficient and the tip speed ratio for various pitch angles can be seen in Figure 2a. This figure shows how  $\beta$  affects  $C_p$  and therefore the WT power, meaning that  $\beta$  can be used for controlling the WT power. In most of the literature related to WECSs, this relation is employed to limit the power extracted at high wind speeds. However, as will be shown in Section 3.1, in this work this relation is used to achieve the power balance by a load following strategy.

From the  $C_p(\lambda, \beta)$  relationship at constant  $\beta$ , Figure 2b shows the WT power characteristics (WT power vs. WT rotational speed  $\Omega$ ), for different wind speeds. More importantly, this figure also shows the maximum power loci, which are obtained when the WT is operated with the maximum power coefficient,  $C_p = 0.48$ , at  $\lambda = 8.1$  and  $\beta = 0$ . As it will be shown in Section 3.3, the maximum power curve is particularly relevant because it defines the steady-state stability limit of the WT. If the demanded power is increased beyond this curve, the subsequent reduction in the rotational speed will lead to a further reduction of the WT power, making the system unstable. This curve will be used in the control strategy of the LSC to limit the maximum active power that the WECS can supply to guarantee a stable operation.



**Figure 2.** Graphical representation of wind turbine (WT) equations: (a)  $C_p$  versus  $\lambda$  for different  $\beta$  values; (b) WT power ( $p_m$ ) for different wind speeds and maximum power loci (curve BC).

2.2. PMSG Model

The electrical behavior of a PMSG can be expressed in a stationary reference frame as

$$\vec{u}_s = \psi \frac{d}{dt} e^{j\epsilon} - R_s \vec{i}_s - L_s \frac{d}{dt} \vec{i}_s, \tag{2}$$

where subscript  $s$  stands for stator,  $\vec{u}_s$  and  $\vec{i}_s$  are the stator voltage and current, respectively,  $\psi$  is the stator total magnetic flux linkage,  $\epsilon$  is the angular position of the rotor, and  $R_s$  and  $L_s$  the stator resistance and inductance, respectively.

Since the PMSG dynamics are significantly faster than the WT ones, a steady-state model can be used for illustrating their interaction. From Equation (2) the steady state model of the PMSG can be obtained as

$$\vec{U}_s = j\omega_r \psi - R_s \vec{i}_s - j\omega L_s \vec{i}_s, \tag{3}$$

where  $\omega_r$  is the electrical angular speed, related to the rotational speed through the pole pair numbers  $p_n$  as  $\omega_r = p_n \Omega$ .

This expression shows that the stator voltage is a function of the WT speed. Thus, by keeping constant  $\Omega$  through pitch control, as explained in Section 3.1, the electromagnetic force,  $emf$ , and voltage ( $j\omega_r \psi$ ) will be constant as well. The stator voltage will vary with the power demand due to the current-dependent terms of Equation (3).

In order to implement the previous strategy on a dynamic control system, a transformation to a  $dq$  rotating frame oriented to the rotor is used. The orientation to the rotor results in steady-state constant values for the control variables. Applying this transformation to Equation (2) leads to

$$u_{sd} = -R_s i_{sd} - L_s \frac{d}{dt} i_{sd} + \omega_r L_s i_{sq}, \quad (4)$$

$$u_{sq} = \omega_r \psi - R_s i_{sq} - L_s \frac{d}{dt} i_{sq} - \omega_r L_s i_{sd}. \quad (5)$$

For a balanced three-phase system, the output power can be calculated as

$$P_s = \frac{2}{3} \Re(u_{s,dq} \vec{i}_{s,dq}^*) \quad (6)$$

where the asterisk indicates the complex conjugate. Using Equations (4)–(6) the output power can also be expressed as

$$P_s = \frac{2}{3} (\omega_r \psi i_{sq} - R_s |i_{s,dq}^{\vec{}}|^2) \quad (7)$$

The term related to the stator resistance can be interpreted as power losses and thus the electromagnetic torque is derived as

$$T_{em} = \frac{P_{em}}{\Omega} = P_{em} \frac{p_n}{\omega_r} = \frac{2}{3} (\psi p_n i_{sq}) \quad (8)$$

Equation (8) shows that torque can be controlled by means of the q-component of the stator current  $i_{sq}$ .

In a grid-connected FC,  $i_{sq}$  is regulated to control the rotational speed of the WT and in this way control the WT power. However, in the off-grid application power is imposed by the load and  $i_{sq}$  will be used to balance the power at the DC bus. This means that this current component will be obtained by the DC voltage controller to maintain constant DC voltage, which in turns means that the generator supplies the power that is demanded by LSC to supply the load. This is further developed in Section 3.2.

### 2.3. VSC Inverter Model

The AC-side of a VSC can be represented by a three-phase AC voltage source connected to the system through a interfacing reactor, modelled by its inductance  $L$  and resistance  $R$  [28–30] as seen in Figure 3.

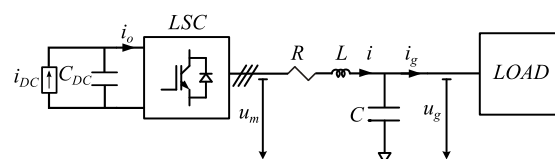


Figure 3. Scheme of the voltage-sourced converter (VSC) station.

The dynamics of the DC link have been modelled by a controlled current source  $i_{DC}$  in parallel with the DC bus capacitor  $C_{DC}$ . This is useful to study the effects of the VFC on the DC-link, considering the voltage control performed by the GSC that will be explained in Section 3.2.

Using pulse-width modulation (PWM), the relation between DC and AC voltages can be expressed as

$$u_{mk} = m_k \frac{U_{DC}}{2}, \quad (9)$$

where  $m_k$  is the modulating signal corresponding to phase k [29].

At the AC side, the total capacitance connected is represented by  $C$ . This includes the high frequency filter, which is considered purely capacitive at the fundamental frequency [31], and other capacitor banks connected at the point of common coupling (PCC). The VSC terminal voltage  $u_m$  and the capacitor bank voltage  $u_g$  are related by the equation:

$$u_{gk} = u_{mk} - Ri_k - L \frac{d}{dt} i_k, \quad (10)$$

where  $i_k$  is the converter current and subscript  $k$  stands for the system phase ( $k = a, b, c$ ).

The phase currents and voltages and the modulating signals can be expressed in a rotating dq reference frame as  $\vec{i} = i_d + ji_q$ ,  $\vec{i}_g = i_{gd} + ji_{gq}$ ,  $\vec{u}_g = u_{gd} + ju_{gq}$ ,  $\vec{u}_m = u_{md} + ju_{mq}$  and  $\vec{m} = m_d + jm_q$ , respectively. Therefore, Equation (10) can be expressed in a synchronous dq reference frame, rotating at constant frequency  $\omega_0$ , as

$$\vec{u}_g = \vec{u}_m - R\vec{i} - L \frac{d}{dt} \vec{i} - j\omega_0 L \vec{i}, \quad (11)$$

As will be explained in Section 3.3, the voltage vector of the capacitor bank,  $\vec{u}_g$ , will be oriented to this reference frame by controlling the current,  $\vec{i}$ , by means of the internal voltage of the converter  $\vec{u}_m$ .

On the other hand, at the capacitor bank, the voltage equations per phase are

$$i_k - i_{gk} = C \frac{d}{dt} u_{gk}, \quad (12)$$

where  $i_{gk}$  is the phase  $k$  current demanded by the load. By applying the Park transformation, the above equation can be expressed in a dq reference frame as

$$\vec{i} - \vec{i}_g = C \frac{d}{dt} \vec{u}_g + j\omega_0 C \vec{u}_g \quad (13)$$

The load is modelled as a constant power source that demands active power  $P_L$  and a reactive power  $Q_L$ . This introduces a non-linear relation between the controlled voltage  $\vec{u}_g$  and the demanded current  $\vec{i}_g$ . This relation can be expressed in a dq reference frame as

$$i_{gd} = \frac{P_L u_{gd} + Q_L u_{gq}}{u_{gd}^2 + u_{gq}^2}, \quad (14)$$

$$i_{gq} = \frac{P_L u_{gq} - Q_L u_{gd}}{u_{gd}^2 + u_{gq}^2}. \quad (15)$$

Finally, the dynamics on the DC-link capacitor considering the relationship between the VSC DC and AC variables is expressed as

$$C_{DC} \frac{d}{dt} U_{DC} = I_{DC} - \frac{1}{U_{DC}} \frac{3}{2} \Re(\vec{u}_m \cdot \vec{i}^*), \quad (16)$$

where the last term is the derived from the active AC power, neglecting the VSC losses.

The complete system dynamic equations can be obtained by separating the real and imaginary parts of Equations (11) and (13). Moreover, these equations plus Equation (16) can be expressed per unit as

$$\frac{c}{\omega_0} \frac{d}{dt} u_{gd,pu} = i_{d,pu} + cu_{gq,pu} - i_{gd,pu} \quad (17)$$

$$\frac{c}{\omega_0} \frac{d}{dt} u_{gq,pu} = i_{q,pu} - cu_{gd,pu} - i_{gq,pu} \quad (18)$$

$$\frac{l}{\omega_0} \frac{d}{dt} i_{d,pu} = m_d u_{DC,pu} - u_{gd,pu} - r i_{d,pu} + l i_{q,pu} \quad (19)$$

$$\frac{l}{\omega_0} \frac{d}{dt} i_{q,pu} = m_q u_{DC,pu} - u_{gq,pu} - r i_{q,pu} + l i_{d,pu} \quad (20)$$

$$\frac{c_{DC}}{\omega_0} \frac{d}{dt} u_{DC,pu} = i_{DC,pu} - m_d i_{d,pu} - m_q i_{q,pu} \quad (21)$$

Base values for per unit transformation have been selected considering the ratings of the PMSG used for the real-time implementation. They are presented in Table 1.

**Table 1.** Base values for per unit transformations.

Label	Value	Units	Description
$U_b$	132.8	V	AC base voltage
$U_{dc,b}$	$2U_b$	-	DC base voltage
$S_b$	3000	VA	Base power
$f_b$	50	Hz	Base frequency
$\Omega_{WT}$	375	rpm	Base rotational speed

In the rest of the paper, variables in per unit are shown in lower case and the subindex *pu* is omitted.

In conclusion, the system has five state variables,  $u_{gd}$ ,  $u_{gq}$ ,  $i_d$ ,  $i_q$  and  $u_{DC}$ , two external inputs,  $p_L$  and  $q_L$ , and three controlled inputs,  $m_d$ ,  $m_q$  and  $i_{DC}$ . The stability of the system will be analysed in Section 4.

### 3. Control

The control system is divided into WT, GSC, and LSC control. The proposed control scheme must be able to maintain constant voltage and frequency at the generator terminals despite a variable wind energy source while delivering the demanded amount of active and reactive power.

#### 3.1. Wind Turbine Power Control

In order to ensure a stable operation, the power demanded by the load must be equal to the power delivered by the WT. To achieve this, the WT power is controlled through pitch control.

For a given wind velocity, WT operation is only possible below a defined stability limit, as shown in Figure 2b. By regulating rotational speed in isolated operation, pitch control allows for the supply a specific load in a wider range of wind velocities or alternatively to deliver a wider range of power values for a specific wind velocity.

The generator power being fixed by the electrical load power, the mechanical equation of the WT

$$\frac{d\Omega}{dt} = \frac{1}{J} (T_{WT} - T_{em}), \quad (22)$$

shows that if the turbine power is higher than the load power, the rotational speed will increase, or decrease in the opposite case.



Therefore, power balance can be achieved by means of a speed control loop: only when the turbine power equals the load power is the rotational speed maintained constant. This speed control loop is shown in Figure 4a.

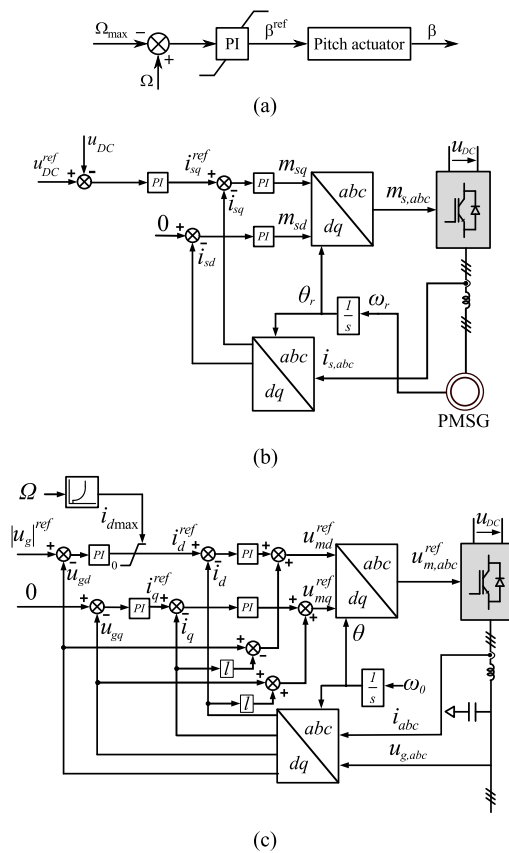


Figure 4. Control schemes of: (a) WT Rotational speed (b) GSC (c) VFC.

The speed control loop will ensure that the maximum rotational speed of the WT is not exceeded by acting on the pitch control system. The blade pitch angle is adjusted, thus reducing or increasing the turbine power until it matches the load power. Note that this control system is similar to the one used in grid-connected WECS for limiting power when the wind velocity is higher than rated. The only difference is that here maximum rotational speed can be achieved at any wind velocity.

Moreover, instantaneous power variations will be supplied by the WT storage of kinetic energy since the pitch actuation is normally limited between 5°/s and 10°/s [32].

### 3.2. Generator Side Converter Control

The GSC will be responsible for maintaining the DC-link voltage constant despite the WT speed and torque variations. This is achieved by the regulation of the active power drawn from the PMSG using the stator current q-component, which is related to active power as seen in Equation (8). The control scheme is depicted in Figure 4b.

On the other hand, there are several criteria for selecting the stator d-component current [3]. In this paper, maximum torque per ampere ( $i_d = 0$ ) is employed.

This control loop is included in the VSC model of Section 2.3 through the controlled current source  $i_{DC}$  as

$$i_{DC} = k_{pDC}(u_{DC}^* - u_{DC}) + k_{iDC}x_{DC}, \tag{23}$$

where  $k_{pDC}$  and  $k_{iDC}$  are the DC voltage controller proportional and integral gains, respectively. The dynamics of the internal current control loops are not considered since their bandwidth are one

order of magnitude higher than the DC voltage control loop and thus they can be neglected in the VSC model.  $x_{DC}$  is the DC voltage error state, given by

$$\frac{1}{\omega_0} \frac{d}{dt} x_{DC} = u_{DC}^* - u_{DC}, \quad (24)$$

### 3.3. Voltage and Frequency Control

The VFC objective is to maintain constant voltage and frequency on the system. It is based on the orientation of the output voltage vector along a synchronous reference axis (d axis). The rotational speed of the synchronous reference axis is the reference frequency of the system  $\omega_0$ . If the control can maintain the voltage vector orientated along the synchronous reference axis, the frequency is kept constant.

A linear approximation can be made between the magnitude and angle of the voltage and its d and q components, respectively. Considering that

$$u_{gd} = |\vec{u}_g| \cos(\delta), \quad (25)$$

$$u_{gq} = |\vec{u}_g| \sin(\delta), \quad (26)$$

where  $\delta$  is the angle between  $\vec{u}_g$  and the d axis, the following can be deduced for small variations of  $\delta$  around 0:

$$\Delta u_{gd} = \Delta |\vec{u}_g|, \quad (27)$$

$$\Delta u_{gq} = \Delta(\delta). \quad (28)$$

Also, in steady state, if voltage and frequency are kept constant, then the LSC will supply the active and reactive power demanded by the load. Moreover, considering Equations (17) and (18), the control of magnitude ( $u_{gd}$ ) and angle ( $u_{gq}$ ) are related to the control of the active ( $i_d$ ) and reactive ( $i_q$ ) current, respectively, with a certain coupling between axes.

With such principles, the control system is quite simple. There are two control channels, the first one to obtain constant voltage, and the second one to obtain  $u_{gq} = 0$  (Figure 4c), which in turns means that the voltage vector is kept orientated to the reference axis.

The reference d-axis orientation is obtained by integration of the desired frequency  $\omega_0$ . Note that a phase-locked loop (PLL) is not needed, because the whole control is oriented to a synchronous axis obtained directly from integration of the desired angular frequency and therefore the angular position is not subjected to any measurement noise or grid disturbance.

A dynamic saturation for  $i_d^{ref}$  is also included. This saturation ensures that the WT never exceeds its stability limit as explained in Section 2.1. When the available wind power is not enough to supply the load, the voltage magnitude will drop. In this case, balance must be achieved through load regulation or load shedding. Note that with the proposed VFC, the load shedding mechanism would be based on voltage deviation instead of classical frequency deviation. As stated in the introduction, this could be of application in systems where the load can be controlled such as battery chargers or electrical pumps.

To complete the state-space model described in Section 2.3, the dynamics of the VFC are included. In the current controllers, the modulating signals  $m_d$  and  $m_q$  can be expressed as

$$m_d = k_{pc}(i_d^{ref} - i_d) + k_{ic}x_{cd} - li_q, \quad (29)$$

$$m_q = k_{pc}(i_q^{ref} - i_q) + k_{ic}x_{cq} + li_d, \quad (30)$$

where  $k_{pc}$  and  $k_{ic}$  are the current controller proportional and integral gains, respectively, and the compensating cross terms have been added.  $x_{cd}$  and  $x_{cq}$  are the d-q current error states, given by

$$\frac{1}{\omega_0} \frac{d}{dt} x_{cd} = i_d^{ref} - i_d, \quad (31)$$

$$\frac{1}{\omega_0} \frac{d}{dt} x_{cq} = i_q^{ref} - i_q. \quad (32)$$

Similarly, the voltage controller input is the voltage error, while the output is the current reference, given by

$$i_d^{ref} = k_{pv}(u_{gd}^{ref} - u_{gd}) + k_{iv}x_{vd} + cu_{gq}, \quad (33)$$

$$i_q^{ref} = k_{pv}(u_{gq}^{ref} - u_{gq}) + k_{iv}x_{vq} - cu_{gd}, \quad (34)$$

where  $k_{pv}$  and  $k_{iv}$  are the voltage controller proportional and integral gains, respectively, and the compensating cross terms have been added. As in the current controller,  $x_{vd}$  and  $x_{vq}$  are the d-q voltage error states, given by:

$$\frac{1}{\omega_0} \frac{d}{dt} x_{vd} = u_{gd}^{ref} - u_{gd}, \quad (35)$$

$$\frac{1}{\omega_0} \frac{d}{dt} x_{vq} = u_{gq}^{ref} - u_{gq}. \quad (36)$$

Considering the set of non-linear dynamic equations given in Equations (17)–(21), (24), (31), (32), (35) and (36), the state-space representation of the system can be obtained through the Jacobian matrix as

$$\frac{d}{dt} \Delta x = A \Delta x + B \Delta u, \quad (37)$$

$$\Delta y = C \Delta x + D \Delta u, \quad (38)$$

where

$$x = [u_{gd}, u_{gq}, x_{vd}, x_{vq}, i_d, i_q, x_{cd}, x_{cq}, u_{DC}, x_{DC}], \quad (39)$$

$$u = [p_L, q_L, u_{gd}^{ref}, u_{gq}^{ref}, u_{DC}^{ref}], \quad (40)$$

$$y = [u_{gd}, u_{gq}]. \quad (41)$$

and A, B, C and D contain only linear time-invariant coefficients.

#### 4. Stability Analysis

In order to assess the dynamics and stability of the overall system, the eigenvalue and sensibility analysis are performed in the following paragraphs. For such purpose, the influence of the system parameters on the loci of dominant eigenvalues is studied considering the base-case scenario given in Table 2.

Since the system is non-linear, the operation point, or quiescent point, also affects the stability of the system. The base-case operating point values are given in Table 3.

For this base case, the eigenvalues are computed and presented in Table 4. The frequency and damping ratio are also given, as well as the dominant states according to their participation factors [33].

**Table 2.** Base case system parameters in p.u.

Label	Value	Description
$l$	0.1	AC filter inductance
$r$	0.003	AC filter resistance
$c$	0.1	AC capacitance
$c_{DC}$	0.35	DC capacitance
$k_{pc}$	2	AC current proportional gain
$k_{ic}$	0.637	AC current integral gain
$k_{pv}$	2.5	AC voltage proportional gain
$k_{iv}$	0.127	AC voltage integral gain
$k_{pDC}$	3	DC voltage proportional gain
$k_{iDC}$	0.064	DC voltage integral gain

**Table 3.** Base case operating point in p.u.

Label	Value	Description
$ \vec{u}_g _0$	1	AC voltage vector amplitude
$\delta_0$	0	AC voltage vector deviation
$p_{L0}$	0.5	Active power demand
$q_{L0}$	0	Reactive power demand
$u_{DC0}$	1	DC voltage amplitude

**Table 4.** Base-case eigenvalue analysis.

$\lambda_i$	Eigenvalues [rad/s]	Frequency [Hz]	Damping Ratio [p.u.]	Dominant States
1–2	$-2820.1 \pm 4989.1i$	911.96	0.492	$u_{gq}, i_q$
3–4	$-1254.7 \pm 4261.3i$	706.65	0.282	$u_{gd}, i_d$
5	-2.2311	0	1	$u_{DC}$
6–7	-0.1	0	1	$x_{cd}, x_{cq}$
8	-0.0268	0	1	$x_{DC}$
9–10	-0.01	0	1	$x_{vd}, x_{vq}$

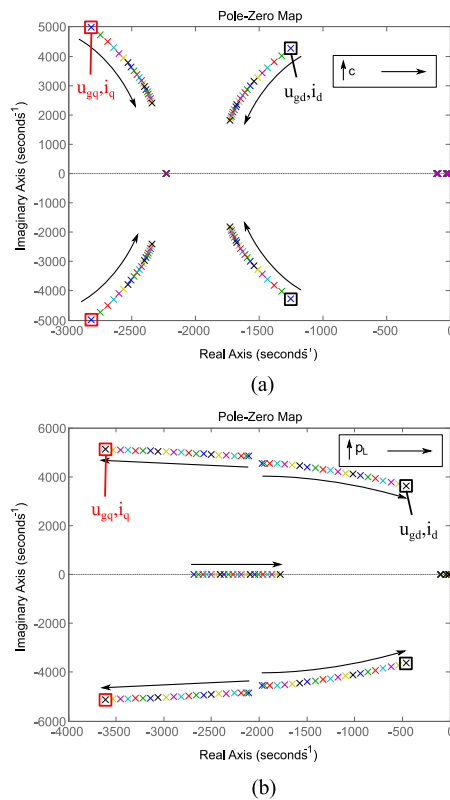
All the eigenvalues have a negative real part and thus the system is stable.

One of the system more relevant parameter is the total capacitance connected at the PCC. Figure 5a shows the system eigenvalue map, together with the associated states, for a variation in  $c$  from the base case of 0.1 to 0.3.

It can be concluded that a higher capacitance damps voltage variations and reduces the frequency of the associated eigenvalues. Consequently, a very small capacitance could compromise the system stability. Note that the proposed VFC is based on the regulation of the filter capacitance voltage, and thus it represents a relevant parameter for the proposed control system operation.

Due to the non-linearities of the load and the VSC models, the system is dependent on the active and reactive power demand. Figure 5b shows the eigenvalues evolution for a variation of  $p_L$  from 0.1 to 1 p.u. It can be noted how the eigenvalues associated with  $u_{gd}$ , and thus with voltage amplitude, move towards the imaginary axis. This means they tend to become more dominant and less damped. The opposite happens with the eigenvalues associated with  $u_{gq}$ , and thus with voltage frequency.

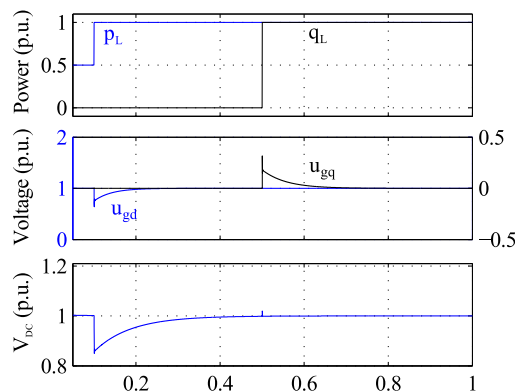
This stability analysis shows the proposed system robustness against variations in both the operating point and internal parameters.



**Figure 5.** Model sensitivity to: (a) Point of common coupling (PCC) capacitance variation (b) Active load variation.

Variations of  $q_L$  produce a similar effect but without influence on the eigenvalues related to DC voltage. Note that power variations could make the system unstable if the control gains are not selected correctly.

The complete model time-domain step response has been represented in Figure 6. This figure shows the response to a 0.5 p.u. step in the demanded active power and to a 1 p.u. step in the demanded and reactive power. This figure demonstrates the capability of the proposed VFC to maintain constant voltage and frequency under such stiff changes. Also, it shows the active power mainly affects the voltage magnitude (d-voltage component) while reactive power mainly affects frequency (q-voltage component), because of the decoupled control strategy.



**Figure 6.** State-space model step response.

## 5. Results and Discussion

In this section, the detailed switching model simulations and real-time results are presented to demonstrate the capability of the proposed control operation as well as to validate the developed dynamic models.

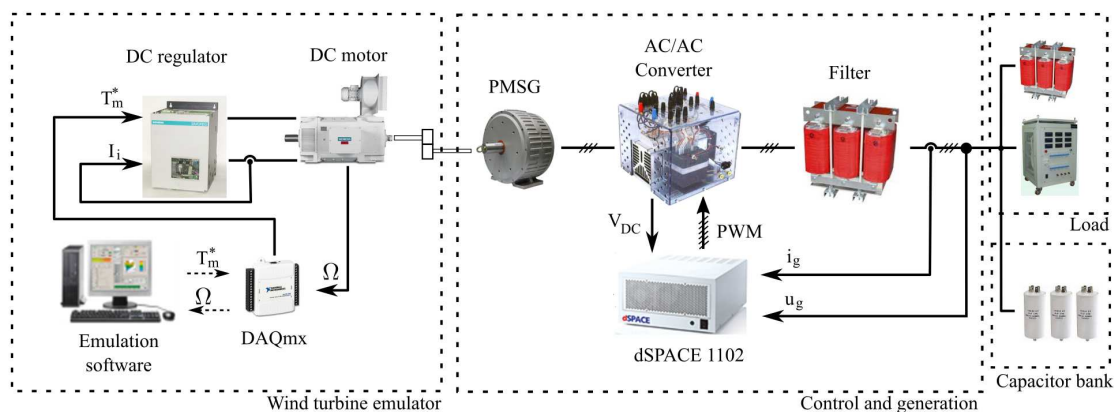
These detailed simulations were developed using MATLAB/Simulink (R2013b, The MathWorks, Inc., Natick, MA, USA) in co-simulation with PSIM (version 9.0, Powersim, Inc., Rockville, MD, USA). Simulink was used to implement the control algorithms, whereas PSIM was used for simulating the power system elements.

Using this structure, the implementation of the models represented in Figures 1–4 is fairly straightforward. The model has been discretized according to the simulation parameters given in Table 5. Other parameters, such as control proportional and integral gains, are the same as in the base case presented in Tables 2 and 3.

**Table 5.** Simulation parameters. WT: wind turbine.

Label	Value	Units	Description
$T_{s, cont}$	$200 \times 10^{-6}$	s	Control sampling time
$T_{s, power}$	$10 \times 10^{-6}$	s	Power circuit sampling time
$D_{WT}$	4	m	WT diameter
$H_{WT}$	3	s	WT time constant
$\rho$	1.225	$\text{kg m}^{-3}$	Air density

In order to obtain a further demonstration of the capabilities of the proposed control, the system was tested on the real-time test bench of Figure 7. The WT was emulated based on the hardware-in-the-loop scheme developed in [34]. A more detailed explanation is given in the Appendix. The load could not be emulated as a constant power source, instead a resistor and a reactance were used.



**Figure 7.** Test bench used for real-time experiments. PWM: pulse-width modulation.

Response to both wind and load variations was studied. In Section 5.1 a load step at a constant wind speed is performed, and the effect on both the WT and the VSC is represented. In Section 5.2, on the other hand, a variable wind speed is applied under constant load.

### 5.1. Load Step Response

Despite load variations, the VSC control system must be able to maintain constant voltage and frequency. Also, the pitch control must ensure steady-state power balance between the WECS and the load to ensure a stable operation. Simulation results are shown in Figure 8a and real-time results in Figure 8b.

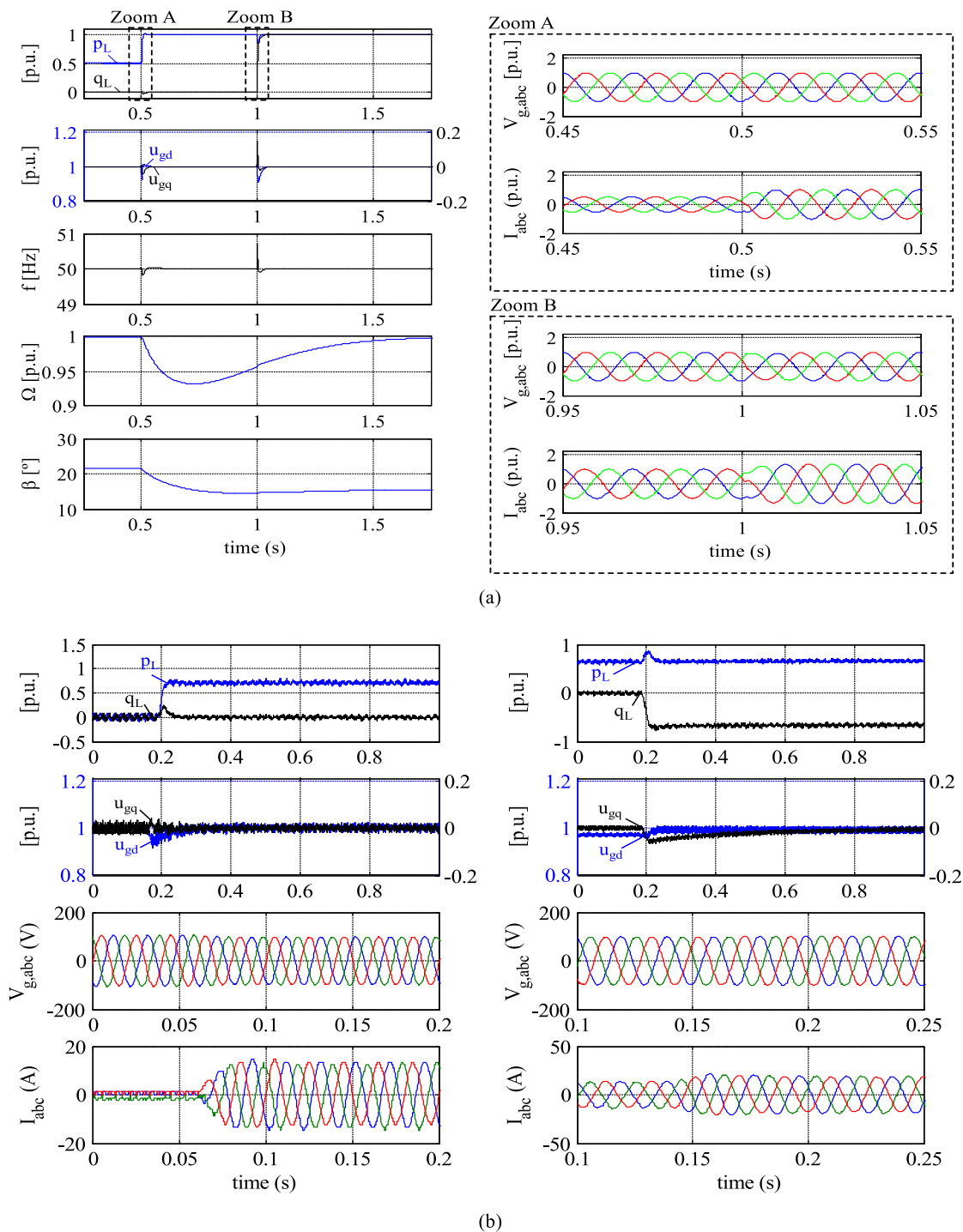


Figure 8. Load step response in: (a) A simulation (b) A real-time system.

For the simulation, both active and reactive power variations are included. A 0.5 p.u. to 1 p.u. an active load step is applied at  $t = 0.5$  s, while a 0 p.u. to 1 p.u. reactive power step is applied at  $t = 1$  s. The dq components of the voltage only suffer small deviations at the changes, despite the load variation and therefore voltage and frequency are maintained constant after the transience. Frequency is influenced by both active and reactive power variations due to the coupling between axes. However, in contrast with most power systems, reactive power variations have a more significant influence. Zooms of the AC voltages and currents during load transitions are also included.

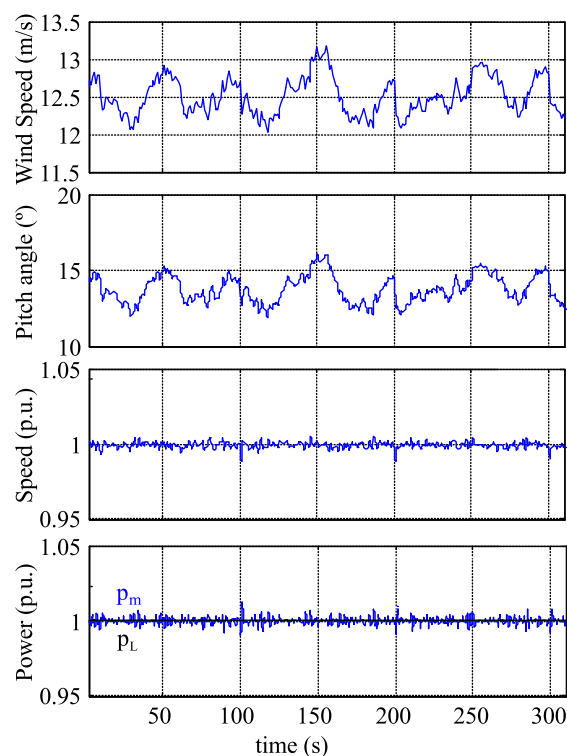
To obtain a stable operation, the power demanded by the load must equal the power extracted from the WT. For this purpose, the pitch angle must be decreased in order to increment power extraction. Note that pitch angle variations are considerably slower than the converter actuation. The difference between the load and WT power during this transience is drawn from the WT kinetic energy, producing a transience in the rotational speed, closing in this way the instantaneous power balance.

Reactive power demand is supplied by the VSC and thus has no influence on the WT power control.

Active and reactive power variations were also applied to the real-time system. It can be seen how these results validate the ones obtained in simulation and thus the same conclusions can be deduced.

### 5.2. Wind Variation Response

To study the system response to wind variations, the wind profile of Figure 9 has been used. The profile consists of a turbulent variation around 12 m/s. Load is kept constant, so the WECS power must be constant despite the wind velocity variations. Only real-time results are shown to avoid a redundancy of information.



**Figure 9.** Real-time system response to wind variations.

To balance the system, the objective of the pitch angle control is to maintain a constant WT speed. Figure 9 shows that pitch angle follows wind velocity variations, increasing pitch angle if wind velocity increases or decreasing pitch angle if wind velocity decreases, in order to maintain constant rotational speed. Nevertheless, as the pitch actuator has a low bandwidth, there are some variations on the rotational speed and the WT power ( $p_m$ ). This rotational speed variation precisely balances the WT power and output power of the WECS, as commented before.

## 6. Conclusions

This paper has presented the design and implementation of a VFC strategy for WECSs and its application for supplying an isolated load.



The decoupled control of the capacitor d-q voltage allows us to achieve a balance between demanded and generated active and reactive power, respectively, while maintaining constant voltage and frequency. Frequency control is achieved through the orientation of the voltage vector along an axis rotating at the reference frequency, avoiding the use of a PLL for frequency measurement.

The roles of the converters of the FC system are inverted. The WECS LSC controls AC voltage and frequency, while the GSC is responsible for maintaining constant voltage in the DC link. Therefore, power is fixed by the load demand instead of the WECS. Moreover, another contribution of the proposed control scheme is that the VFC uses an inner current control loop for controlling voltage, which allows for the regulation of the current and therefore avoids converter overload.

The use of the proposed VFC allows the LSC active power to precisely match the load demand. In contrast with other works, which focused on the integration of the WT with additional systems, in the presented work power balance is achieved by the speed regulation of the WT through pitch angle control and thus no additional power sources, dump resistors, or ESSs are required for the system operation.

Power balance is achieved by the speed regulation of the WT through pitch angle control and thus no additional power sources, dump resistors, or ESSs are required for the system operation.

Active power unbalance situations provoke voltage amplitude variations, instead of frequency variations as is the case in power systems with synchronous generators. Therefore, a load regulation or load shedding mechanism can be used to achieve power balance based on the voltage drop when wind power is not enough to supply the load. Nevertheless, once the power balance is restored, due to load regulation or wind speed rise, the algorithm operation is resumed automatically thanks to the included  $i_d$  limitation, which avoids wind-up situations and dynamic instabilities.

The proposed control scheme has been completely modelled and validated by simulation and real-time implementation, demonstrating its capability to maintain constant voltage and frequency despite load and wind speed variations.

**Acknowledgments:** This work has been supported by the Autonomous Community of Madrid under the PRICAM project (S2013-ICE-2933).

**Author Contributions:** The authors contributed equally to this work.

**Conflicts of Interest:** The authors declare no conflicts of interest.

## Abbreviations

The following abbreviations are used in this manuscript:

### Acronyms

VFC	Voltage and frequency control
FC	Full converter
WECS	Wind energy conversion system
LSC	Line side converter
GSC	Generator side converter
WT	Wind turbine
DFIG	Doubly-fed induction generator
PMSG	Permanent magnet synchronous generator
SCIG	Squirrel-cage induction generator
ESS	Energy storage system
MPPT	Maximum power point tracking
PWM	Pulse-width modulation
PCC	Point of common coupling
PLL	Phase-locked loop

### Nomenclature

$\psi$	PMSG magnetic flux linkage
$\beta$	WT pitch angle
$\Omega$	WT rotational speed
$\omega$	Electrical frequency in p.u.
$f$	Electrical frequency in Hz
$u$	Voltage
$i$	Current
$m$	VSC modulating control signal
$c$	VSC filter capacitance in p.u.
$l$	VSC filter inductance in p.u.
$r$	VSC filter resistance in p.u.
$A$	WT rotor area
$v$	Wind velocity
$\lambda$	WT tip speed ratio
$k_p$	PI controller proportional gain
$k_i$	PI controller integral gain
$T_s$	Sampling time
$p_n$	PMSG pole pairs number

### Subindex

$s$	Referred to the PMSG stator
$r$	Referred to the PMSG rotor
$g$	Referred to the grid or point of common coupling
$DC$	Referred to the VSC DC link
$0$	Referred to initial state values

## Appendix A

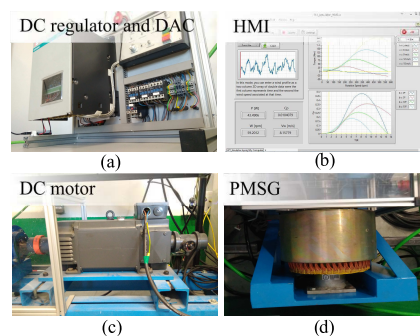
This appendix describes in more detail the WT emulation system used for the real-time implementation.

WT emulation is based on a DC electrical drive that applies the emulated WT torque to the mechanical axis of the PMSG. The emulation system uses both hardware and software elements.

Hardware includes:

- SIMOREG 6RA23s regulator (Figure A1a), to regulate de DC motor.
- DAQmx USB-6009 model DAC (Digital to Analog Converter), from National Instruments (Figure A1a), to provide the analogue torque reference.
- 1GG5 SIEMENS DC motor (Figure A1c)
- Bornay INCLIN 3000 PMSG (Figure A1d).

The digital reference is generated from a LabVIEW (version 2014, National Instruments, Madrid, Spain) program (Figure A1b), running on a PC with a sample time of 100 ms, which is considered sufficient to simulate the WT dynamics.



**Figure A1.** WT Emulator equipment. HMI: Human-Machine Interface.

## References

1. *Global Wind Report Annual Market Update 2015*; Technical Report; Global Wind Energy Council: Brussels, Belgium, 2016.
2. Teodorescu, R.; Liserre, M.; Rodriguez, P. *Grid Converters for Photovoltaic and Wind Power Systems*; John Wiley & Sons: Hoboken, NJ, USA, 2011; Volume 29.
3. Chinchilla, M.; Arnaltes, S.; Burgos, J. Control of Permanent-Magnet Generators Applied to Variable-Speed Wind-Energy Systems Connected to the Grid. *IEEE Trans. Energy Convers.* **2006**, *21*, 130–135.
4. Santos-Martin, D.; Rodriguez-Amenedo, J.L.; Arnalte, S. Direct Power Control Applied to Doubly Fed Induction Generator under Unbalanced Grid Voltage Conditions. *IEEE Trans. Power Electron.* **2008**, *23*, 2328–2336.
5. Santos-Martin, D.; Rodriguez-Amenedo, J.L.; Arnalte, S. Dynamic Programming Power Control for Doubly Fed Induction Generators. *IEEE Trans. Power Electron.* **2008**, *23*, 2337–2345.
6. Jallad, J.; Mekhilef, S.; Mokhlis, H. Frequency Regulation Strategies in Grid Integrated Offshore Wind Turbines via VSC-HVDC Technology: A Review. *Energies* **2017**, *10*, 1244.
7. Heo, S.Y.; Kim, M.K.; Choi, J.W. Hybrid Intelligent Control Method to Improve the Frequency Support Capability of Wind Energy Conversion Systems. *Energies* **2015**, *8*, 11430–11451.
8. Pena, R.; Clare, J.C.; Asher, G.M. A Doubly Fed Induction Generator Using Back-to-Back PWM Converters Supplying an Isolated Load from a Variable Speed Wind Turbine. *IEE Proc. Electr. Power Appl.* **1996**, *143*, 380–387.
9. Cardenas, R.; Pena, R.; Proboste, J.; Asher, G.; Clare, J. MRAS Observer for Sensorless Control of Standalone Doubly Fed Induction Generators. *IEEE Trans. Energy Convers.* **2005**, *20*, 710–718.
10. Pena, R.; Cardenas, R.; Escobar, E.; Clare, J.; Wheeler, P. Control System for Unbalanced Operation of Stand-Alone Doubly Fed Induction Generators. *IEEE Trans. Energy Convers.* **2007**, *22*, 544–545.
11. Arnaltes, S.; Rodriguez-Amenedo, J.L.; Montilla-DJesus, M.E. Control of Variable Speed Wind Turbines with Doubly Fed Asynchronous Generators for Stand-Alone Applications. *Energies* **2017**, *11*, 26.
12. Huang, L.; Xin, H.; Zhang, L.; Wang, Z.; Wu, K.; Wang, H. Synchronization and Frequency Regulation of DFIG-Based Wind Turbine Generators with Synchronized Control. *IEEE Trans. Energy Convers.* **2017**, *32*, 1251–1262.
13. Li, H.; Chen, Z. Overview of Different Wind Generator Systems and Their Comparisons. *Renew. Power Gener. IET* **2008**, *2*, 123–138.
14. Alnasir, Z.; Kazerani, M. An Analytical Literature Review of Stand-Alone Wind Energy Conversion Systems from Generator Viewpoint. *Renew. Sustain. Energy Rev.* **2013**, *28*, 597–615.
15. Kasal, G.K.; Singh, B. Voltage and Frequency Controllers for an Asynchronous Generator-Based Isolated Wind Energy Conversion System. *IEEE Trans. Energy Convers.* **2011**, *26*, 402–416.
16. Teodorescu, R.; Blaabjerg, F. Flexible Control of Small Wind Turbines with Grid Failure Detection Operating in Stand-Alone and Grid-Connected Mode. *IEEE Trans. Power Electron.* **2004**, *19*, 1323–1332.
17. Haque, M.E.; Muttaqi, K.M.; Negnevitsky, M. Control of a Stand Alone Variable Speed Wind Turbine with a Permanent Magnet Synchronous Generator. In Proceedings of the 2008 IEEE Power and Energy Society General Meeting—Conversion and Delivery of Electrical Energy in the 21st Century, Pittsburgh, PA, USA, 20–24 July 2008; pp. 1–9.
18. Bhende, C.N.; Mishra, S.; Malla, S.G. Permanent Magnet Synchronous Generator-Based Standalone Wind Energy Supply System. *IEEE Trans. Sustain. Energy* **2011**, *2*, 361–373.
19. Alnasir, Z.; Kazerani, M. A Small-Scale Standalone Wind Energy Conversion System Featuring SCIG, CSI and a Novel Storage Integration Scheme. *Renew. Energy* **2016**, *89*, 360–370.
20. ELMorshedy, M.F.; Allam, S.M.; Shobair, A.I.A.; Rashad, E.M. Voltage and Frequency Control of a Stand-Alone Wind-Energy Conversion System Based on PMSG. In Proceedings of the 2015 4th International Conference on Electric Power and Energy Conversion Systems (EPECS), Sharjah, UAE, 24–26 November 2015; pp. 1–6.
21. Mendis, N.; Muttaqi, K.M.; Perera, S. Management of Battery-Supercapacitor Hybrid Energy Storage and Synchronous Condenser for Isolated Operation of PMSG Based Variable-Speed Wind Turbine Generating Systems. *IEEE Trans. Smart Grid* **2014**, *5*, 944–953.

22. Daniel, S.A.; AmmasaiGounden, N. A Novel Hybrid Isolated Generating System Based on PV Fed Inverter-Assisted Wind-Driven Induction Generators. *IEEE Trans. Energy Convers.* **2004**, *19*, 416–422.
23. Singh, B.; Kasal, G.K. Voltage and Frequency Controller for a Three-Phase Four-Wire Autonomous Wind Energy Conversion System. *IEEE Trans. Energy Convers.* **2008**, *23*, 509–518.
24. Martínez-Lucas, G.; Sarasúa, J.I.; Sánchez-Fernández, J.Á. Frequency Regulation of a Hybrid Wind–Hydro Power Plant in an Isolated Power System. *Energies* **2018**, *11*, 239.
25. Lotfy, M.E.; Senjyu, T.; Farahat, M.A.F.; Abdel-Gawad, A.F.; Yona, A. A Frequency Control Approach for Hybrid Power System Using Multi-Objective Optimization. *Energies* **2017**, *10*, 80.
26. Yazdani, A.; Iravani, R. *Voltage-Sourced Converters in Power Systems: Modeling, Control, and Applications*; John Wiley & Sons: Hoboken, NJ, USA, 2010.
27. Akhmatov, V. Variable-Speed Wind Turbines with Doubly-Fed Induction Generators Part I: Modelling in Dynamic Simulation Tools. *Wind Eng.* **2002**, *26*, 85–108.
28. Cole, S.; Beerten, J.; Belmans, R. Generalized Dynamic VSC MTDC Model for Power System Stability Studies. *IEEE Trans. Power Syst.* **2010**, *25*, 1655–1662.
29. Yazdani, A.; Iravani, R. A Unified Dynamic Model and Control for the Voltage-Sourced Converter under Unbalanced Grid Conditions. *IEEE Trans. Power Deliv.* **2006**, *21*, 1620–1629.
30. Xu, L.; Andersen, B.R.; Cartwright, P. VSC Transmission Operating under Unbalanced AC Conditions-Analysis and Control Design. *IEEE Trans. Power Deliv.* **2005**, *20*, 427–434.
31. Du, C.; Agneholm, E. Investigation of Frequency/AC Voltage Control for Inverter Station of VSC-HVDC. In Proceedings of the IECON 2006—32nd Annual Conference on IEEE Industrial Electronics, Paris, France, 6–10 November 2006; pp. 1810–1815.
32. Abad, G.; Lopez, J.; Rodriguez, M.; Marroyo, L.; Iwanski, G. *Doubly Fed Induction Machine: Modeling and Control for Wind Energy Generation*; John Wiley & Sons: Hoboken, NJ, USA, 2011; Volume 85.
33. Kundur, P.; Balu, N.J.; Lauby, M.G. *Power System Stability and Control*; McGraw-Hill: New York, NY, USA, 1994; Volume 7.
34. Chinchilla, M.; Arnaltes, S.; Rodriguez-Amenedo, J.L. Laboratory Set-up for Wind Turbine Emulation. In Proceedings of the 2004 IEEE International Conference on Industrial Technology (IEEE ICIT '04), Hammamet, Tunisia, 8–10 December 2004; Volume 1, pp. 553–557.



© 2018 by the authors. Licensee MDPI, Basel, Switzerland. This article is an open access article distributed under the terms and conditions of the Creative Commons Attribution (CC BY) license (<http://creativecommons.org/licenses/by/4.0/>).