

Energy Conversion: A Comparison of Fix- and Self-Referenced Wave Energy Converters

Authors:

Wanan Sheng, Tony Lewis

Date Submitted: 2019-02-27

Keywords: oscillating water column, point absorber, WEC deployment, power take-off optimization, wave energy converter

Abstract:

The paper presents an investigation of fix-referenced and self-referenced wave energy converters and a comparison of their corresponding wave energy conversion capacities from real seas. For conducting the comparisons, two popular wave energy converters, point absorber and oscillating water column, and their power conversion capacities in the fixed-referenced and self-referenced forms have been numerically studied and compared. In the numerical models, the device's power extractions from seas are maximized using the correspondingly optimized power take-offs in different sea states, thus their power conversion capacities can be calculated and compared. From the comparisons and analyses, it is shown that the energy conversion capacities of the self-referenced devices can be significantly increased if the motions of the device itself can be utilized for wave energy conversion; and the self-referenced devices can be possibly designed to be compliant in long waves, which could be a very beneficial factor for device survivability in the extreme wave conditions (normally long waves). In this regards, the self-referenced WECs (wave energy converters) may be better options in terms of wave energy conversion from the targeted waves in seas (frequently the most occurred), and in terms of the device survivability, especially in the extreme waves when compared to the fix-referenced counterparts.

Record Type: Published Article

Submitted To: LAPSE (Living Archive for Process Systems Engineering)

Citation (overall record, always the latest version):

LAPSE:2019.0368

Citation (this specific file, latest version):

LAPSE:2019.0368-1

Citation (this specific file, this version):

LAPSE:2019.0368-1v1

DOI of Published Version: <https://doi.org/10.3390/en9121056>

License: Creative Commons Attribution 4.0 International (CC BY 4.0)

Article

Energy Conversion: A Comparison of Fix- and Self-Referenced Wave Energy Converters

Wanan Sheng * and Tony Lewis

Marine and Renewable Energy Ireland, Environment Research Institute, University College Cork, P43 C573 Cork, Ireland; t.lewis@ucc.ie

* Correspondence: w.sheng@ucc.ie; Tel.: +353-21-4864378

Academic Editor: Jens Peter Kofoed

Received: 30 July 2016; Accepted: 1 December 2016; Published: 15 December 2016

Abstract: The paper presents an investigation of fix-referenced and self-referenced wave energy converters and a comparison of their corresponding wave energy conversion capacities from real seas. For conducting the comparisons, two popular wave energy converters, point absorber and oscillating water column, and their power conversion capacities in the fixed-referenced and self-referenced forms have been numerically studied and compared. In the numerical models, the device's power extractions from seas are maximized using the correspondingly optimized power take-offs in different sea states, thus their power conversion capacities can be calculated and compared. From the comparisons and analyses, it is shown that the energy conversion capacities of the self-referenced devices can be significantly increased if the motions of the device itself can be utilized for wave energy conversion; and the self-referenced devices can be possibly designed to be compliant in long waves, which could be a very beneficial factor for device survivability in the extreme wave conditions (normally long waves). In this regards, the self-referenced WECs (wave energy converters) may be better options in terms of wave energy conversion from the targeted waves in seas (frequently the most occurred), and in terms of the device survivability, especially in the extreme waves when compared to the fix-referenced counterparts.

Keywords: wave energy converter; power take-off optimization; WEC deployment; point absorber; oscillating water column

1. Introduction

Wave energy has been widely regarded to have potential to significantly contribute to the energy mix and blue economy if the technology were to mature. This is especially evident in Europe and USA where huge efforts are being made to bring the technologies to the level of generating power to the grid from waves [1–4]. Historically, some practical and commercial developments have progressed, while some others are still at different development stages and technology readiness levels (TRLs). The former includes the Ocean Energy (OE) buoy [5] and West Wave project [6], and the latter includes the technologies found nowadays mainly in labs [7–10]. It is reported that there are more than 1000 filed patents for wave energy technologies [11], and a well-received classification of the wave energy technologies is given in [12]. Now international collaborations and efforts have been in place to build the standards and the baseline devices to standardize wave energy technologies [13,14].

Despite the great advances in developing wave energy technologies since the 1970s, researchers and developers of wave energy are still faced with some fundamental challenges, and significant improvements and advancements are urgently needed for both the device performance in converting wave energy and the reliability and survivability of the device and of the subsystems in long-term energy production and under extreme wave conditions. All these factors are directly related to the cost of wave energy [15] and current technology developments have been specially targeting to reduce

the cost of wave energy and to improve the power performance and reliability so to make wave energy comparable to other renewable resources and ultimately to the conventional energy production. In Europe, the costs of tidal and wave energy are proposed to be reduced to €0.10/kW by 2030 and 2035, respectively (Ocean Energy Europe [16]) from €0.50–0.65/kW of current technologies (SI Ocean [15]).

In the development of wave energy, nearshore or shallow water regions are frequently considered for developing wave energy converters/farms due to the closeness to the shore and the easy infrastructure, for instance, the cable connection and the availability for the operation and maintenance. One important aspect of these developments is the availability of wave energy resources in shallow water regions. Folley et al. [17] have shown that the wave resources reduce by less than 10% when traveling from a water depth of 50 m to 10 m. Hence the development of wave energy in shallow water regions has been preferred. Magagna et al. [18] collected information on current and proposed wave energy deployments (see Figure 1). It can be seen that so far most of the installed wave energy converters are deployed in the water depths of less than 50 m, and most of the proposed wave farms are deployed in the water depths of less than 100 m. Similarly, Johanning et al. [19] concluded that wave energy converters (WECs) would be very likely installed in the shallow to intermediate depths, typically at around 50 m contour in the open areas for wave energy production. For wave energy converters, such water depths may be in the transitional regions between self-referenced and fix-referenced deployments. Thus, a basic question would be which one is more efficient in terms of wave energy conversion: fix-referenced or self-referenced? To answer this question, the comparisons have been made for both point absorber (PA) [20] and oscillating water column (OWC) [21]. In reality, they are two popular wave energy conversion technologies and both of them can be deployed in either fix-referenced form [22–25] or self-referenced form [20,21,26–28].

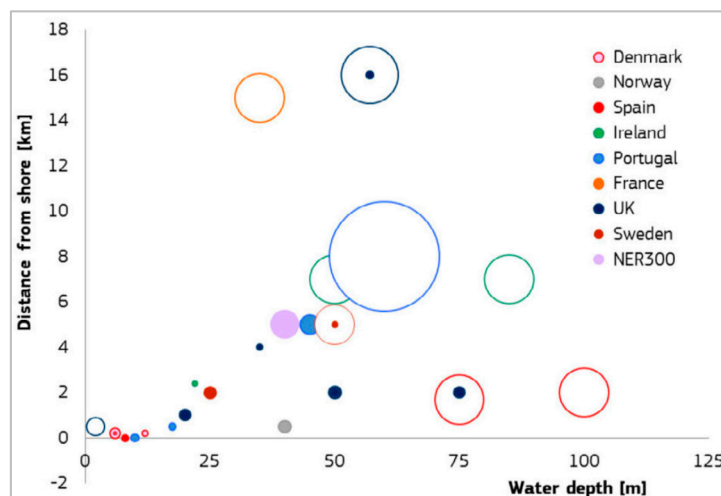


Figure 1. Wave energy deployment: water depth vs. distance from shore. Note: the size of the bubble refers to the capacity of installed projects (full circle) or the maximum site capacity (circles). Source: obtained from Magagna et al. [18], with the permission from D. Magagna.

Fix-referenced point absorbers may be the simplest wave energy converters, and the main motion mode for power conversion is heave [29–31], though other motion modes may contribute to a small part of the power conversion. In the simplification in the analysis, these minor factors are ignored so that we can concentrate on the optimisation of the PTO for maximising wave energy conversion ([32,33]). For floating or self-referenced point absorbers, technology developments have been seen, for instance, the famous devices, Power Buoy [26], Wave bob [34] and the US reference model (RM3, [20]). Again, the main motions are the relative heave motions between two floating bodies in the floating PA. Though the PTO optimization for a floating PA would be more complicated, it is still quite straightforward for the cases with only the relative heave motions (Falnes [35] and Sheng et al. [36]). The similar

PTO optimization methods may be possible for individual multi-motion modes ([37,38]), the multiple relative motions for power conversion are very different and difficult. Though great advances have been seen in the PA wave energy converters of both fixed and floating types, the comparison of these two different deployments in terms of wave energy conversions has not been directly made. This research will use the recent developed PTO optimization technologies (Sheng et al. [36]) for a generic PA (RM3, [20]). RM3 is essentially a floating (self-referenced) point absorber, but for a comparison, it can also be considered as a fix-referenced PA when the spar is fixed (no motion is allowed for it). It will be seen that for a floating PA with its relative motions between the moving components being used, it could be beneficial for improving its wave energy conversion efficiency, as well as its compliance thus its survivability in the extreme waves (with long wave periods).

Fixed OWCs are those shoreline devices seen in some practical wave energy plants, and they may represent the most advanced developments in wave energy technologies. Heath [24] reports that the LIMPET OWC plant has generated power from waves to grid for more than 60,000 h in a period of more than 10 years, and there are some other shoreline OWC plants, such as PICO [39] and Mutriku [40], both still operational. Relatively, the technologies of floating OWCs are in different development stages. Though the backward bent duct buoys (BBDBs) are frequently referred, for instance, the OE buoy, developed by Ocean Energy Ltd. ([41]), and the US reference model (RM6, [27]), different types of OWC devices are also in development. The structurally simple spar-type floating OWC devices are being studied and developed in Portugal [21,42] and Spain (Oceanec [43]). Again, there is no direct comparison between the floating and fixed OWC wave energy converters in terms of wave energy conversion. For this purpose, the spar-type OWC wave energy converter [42] will be studied and compared for both fixed and floating deployments. The PTO optimization method can be analogous to that of PA as shown by Sheng et al. [44]. This method may be different from the OWC PTO optimization made by Bull [27], however, it must be pointed out that the results of these two methods would be same if the dynamic system is fully linear.

The different powers for different deployments of wave energy converters have suggested that the floating devices can be designed to be more efficient if the device motions can be used effectively, and to be more compliant in extreme waves (for the waves with long periods), so it may be beneficial for improving the device survivability in seas.

2. Generic Wave Energy Converters

The first generic wave energy converter is a point absorber, the US reference model No.3 (RM3) wave energy converter [20]. The original design of the wave energy converter is a self-referenced (floating) point absorber (see Figure 2). This point absorber consists of two main moving bodies: the torus of diameter 20 m with a small draft, and the spar which is connected to a large heave plate (30 m in diameter). Overall, the point absorber has a draft of 30 m, and the displacements 848.2 m^3 and 680.8 m^3 for the spar (the cylinder, the heave plate has been simplified as zero thickness) and for the torus, respectively. In converting wave energy, the torus will very much move in-phase, whilst the spar moves out-of-phase with the passing waves. These in-phase and out-of-phase motions could generate a large relative motion between these two bodies, thus providing good motions for converting wave energy. In the case of a fix-referenced RM3, the spar can be taken as a fixed structure.

The second generic wave energy converter is a spar-OWC, which has been widely studied in Portugal [42] (see Figure 3). The selected generic OWC has a water column of 12 m in diameter, a float of an overall diameter 20 m and of a draft 48 m (the middle section is thin structure, and in hydrodynamic analysis, it is taken as zero thickness). The device has a displacement of 3609.3 m^3 . In converting wave energy from the target waves, the structure will move in-phase, whilst the water body in the water column (taken as an “imaginary piston” [21,45]) moves out-of-phase with the passing waves. These in-phase and out-of-phase motions could generate a large relative motion so to generate alternatively pressurized and depressurized air in the air chamber for energy conversion if an air turbine power take-off is applied.

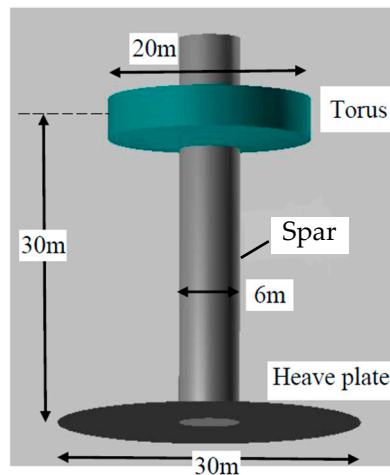


Figure 2. The RM3 point absorber wave energy converter.

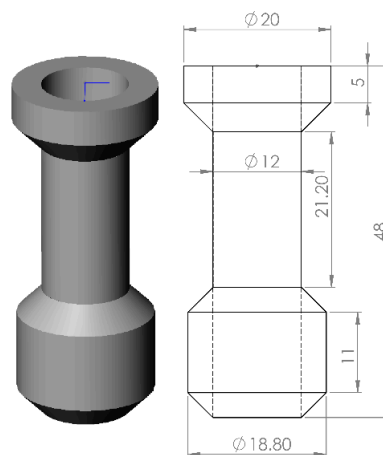


Figure 3. The spar-type OWC wave energy converter (draft $L = 48$ m).

For representing a fixed OWC, the OWC structure can be simply specified as a fixed structure for analysis and comparison. It is noted that, however, this simple fixed spar OWC (with a large draft) may not be good converting energy from short waves, because of its relatively long resonance period ($T_0 = 14.3$ s), meaning the fixed OWC with a draft $L = 48$ m may not extract wave energy effectively from the waves of a period shorter than 14.3 s.

Comparatively, the floating OWC has its first resonance period of 10 s and second resonance period of 14.3 s. This means the floating OWC can extract energy efficiently from the waves of periods from 10 s to 14.3 s. Therefore, for a fairer comparison, the fixed OWC draft is adjusted to $L = 20.5$ m (Figure 4) (its internal water surface motion has a heave resonance period close to 10 s).

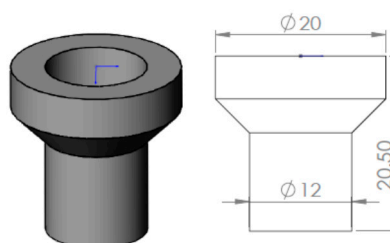


Figure 4. The fixed OWC with a draft of $L = 20.5$ m.

3. Analysis Method

In hydrodynamic analysis, the boundary element method (BEM) is based on the potential flow theory. In this case, it is the commercial BEM code WAMIT [46]. In the BEM code, multiple rigid bodies can be easily considered, with each body being given six degrees of freedom (DOFs). For a two-body system, the motions of the first body are identified by motion modes 1, 2, . . . , 6 and the second body by 7, 8, . . . , 12 for their surge, sway, heave, roll, pitch and yaw motions, respectively. In the following analysis this convention will be followed.

For the abovementioned floating wave energy converters, the most important motion for power conversion is the relative heave motion between two bodies. In the hydrodynamic analysis of the motions of the floating point absorber, the first body is the spar, with x_3 (v_3) representing its heave motion (velocity). The second body is the torus, with x_9 (v_9) being its heave motion (velocity). Similarly, for the OWC, the first body is the OWC structure itself, with x_3 (v_3) representing the heave motion (velocity) of the first body. The second body is an ‘imaginary piston’ representing the water body in the water column, with x_9 (v_9) being its heave motion (velocity).

Following [36], for such floating/self-referenced WECs (PA and OWC), the heave motions of the two-body systems are normally independent of the other motion modes, especially when the motions are small. For power conversion the relative heave motions of the two bodies are taken, and the corresponding dynamic equation can be expressed as:

$$\begin{cases} [i\omega Q_{33} + b_{33} + B_{33}]v_3 + [i\omega Q_{39} + b_{39}]v_9 = f_3 - B_{pto}(v_3 - v_9) \\ [i\omega Q_{93} + b_{93}]v_3 + [i\omega Q_{99} + b_{99} + B_{99}]v_9 = f_9 + B_{pto}(v_3 - v_9) \end{cases} \quad (1)$$

with:

$$\begin{cases} Q_{33} = (m_{33} + a_{33}) - \frac{c_{33}}{\omega^2} \\ Q_{39} = a_{39} - \frac{c_{39}}{\omega^2} \\ Q_{93} = a_{93} - \frac{c_{93}}{\omega^2} \\ Q_{99} = (m_{99} + a_{99}) - \frac{c_{99}}{\omega^2} \end{cases} \quad (2)$$

where m_{33} and m_{99} are the mass of the bodies, a_{33} , a_{39} , a_{93} , a_{99} the added mass; b_{33} , b_{39} , b_{93} , b_{99} the damping coefficients; B_{33} and B_{99} the additional damping coefficients for the heave motions of the structure and the piston; c_{33} , c_{39} , c_{93} , c_{99} the restoring force coefficients; f_3 , f_9 the complex excitations of the heave motions of two bodies; v_3 , v_9 the complex heave motion velocity amplitudes of the two bodies; B_{pto} is the damping coefficient (for PA) or the equivalent damping coefficient (for OWC) for the linear PTOs, with the equivalent damping coefficient being defined [44] as:

$$B_{pto} = k_1 A_0^2 \quad (3)$$

where k_1 is the linear air turbine damping coefficient, and A_0 the sectional area of water column.

Rewriting of Equation (1) yields:

$$\begin{cases} [i\omega Q_{33} + (b_{33} + B_{33} + B_{pto})]v_3 + [i\omega Q_{39} + (b_{39} - B_{pto})]v_9 = f_3 \\ [i\omega Q_{93} + (b_{93} - B_{pto})]v_3 + [i\omega Q_{99} + (b_{99} + B_{99} + B_{pto})]v_9 = f_9 \end{cases} \quad (4)$$

The average power conversion is given by:

$$\bar{P}_{PA} = \frac{1}{2} B_{pto} |v_9 - v_3|^2 \quad (5)$$

The solution of the dynamic Equation (4) is:

$$v_3 - v_9 = \frac{Z_1 + iZ_2}{Y_1 + Y_2 B_{pto} + i\omega(Y_3 + Y_4 B_{pto})} \quad (6)$$

with:

$$\begin{cases} Z_1 = f_{3R}(b_{99} + B_{99} + b_{93}) - f_{9R}(b_{33} + B_{33} + b_{39}) \\ \quad - \omega f_{3I}(Q_{99} + Q_{93}) + \omega f_{9I}(Q_{33} + Q_{39}) \\ Z_2 = f_{3I}(b_{99} + B_{99} + b_{93}) - f_{9I}(b_{33} + B_{33} + b_{39}) \\ \quad + \omega f_{3R}(Q_{99} + Q_{93}) - \omega f_{9R}(Q_{33} + Q_{39}) \\ Y_1 = (b_{33} + B_{33})(b_{99} + B_{99}) - b_{93}b_{39} - \omega^2(Q_{33}Q_{99} - Q_{93}Q_{39}) \\ Y_2 = b_{33} + B_{33} + b_{99} + B_{99} + b_{39} + b_{93} \\ Y_3 = (b_{33} + B_{33})Q_{99} + (b_{99} + B_{99})Q_{39} - b_{93}Q_{39} - b_{39}Q_{93} \\ Y_4 = Q_{33} + Q_{99} + Q_{39} + Q_{93} \end{cases} \quad (7)$$

where f_{3R} and f_{9R} are the real parts of the excitations f_3 and f_9 , and f_{3I} and f_{9I} are the imaginary parts of the excitations f_3 and f_9 .

The average power is given by

$$\bar{P} = \frac{1}{2} B_{pto} \frac{Z_1^2 + Z_2^2}{(Y_1 + Y_2 B_{pto})^2 + \omega^2 (Y_3 + Y_4 B_{pto})^2} \quad (8)$$

The optimised linear PTO damping coefficient is calculated as

$$B_{pto} = \sqrt{\frac{Y_1^2 + \omega^2 Y_3^2}{Y_2^2 + \omega^2 Y_4^2}} \quad (9)$$

The corresponding capture power in regular waves is calculated as

$$\bar{P}_{max} = \frac{1}{4} \frac{Z_1^2 + Z_2^2}{Y_1 Y_2 + \omega^2 Y_3 Y_4 + \sqrt{(Y_1^2 + \omega^2 Y_3^2)(Y_2^2 + \omega^2 Y_4^2)}} \quad (10)$$

3.1. Power Conversion in Irregular Waves

Real ocean waves are significantly different from regular waves of unique wave height and period, hence when the real ocean waves are referred to, they are normally characterised by a significant wave height (H_s), a characteristic period (T_c), a corresponding spectrum shape and a wave spreading function. For a single point in sea, the measured waves can be simply represented by a conventional long-crested wave as

$$S_w(\omega) = \frac{5}{16} \frac{\omega_p^4}{\omega^5} \exp\left(-\frac{5}{4} \frac{\omega_p^4}{\omega^4}\right) \quad (11)$$

or the standard JONSWAP spectrum as

$$S_w(\omega) = 0.2049 \frac{\omega_p^4}{\omega^5} \exp\left(-\frac{5}{4} \frac{\omega_p^4}{\omega^4}\right) \times 3.3^\gamma \quad (12)$$

with $\omega_p = \frac{2\pi}{T_p}$ and $\gamma = \exp\left[-\frac{(\omega - \omega_p)^2}{2\omega_p^2 \sigma^2}\right]$ for $\sigma = \begin{cases} 0.07, & \text{if } \omega \leq \omega_p \\ 0.09, & \text{if } \omega > \omega_p \end{cases}$.

A real sea state consists of a number of components of different amplitudes and frequencies, and each wave cycle varies in both amplitude and period. The optimisation of the PTO damping means a constant damping for the sea state, rather than the individual waves in the sea state. For the optimised PTO damping coefficient, B_{pto} , the corresponding wave energy conversion curve \bar{P} is defined using Equation (8) (the capture power per unit wave amplitude), and from which the captured power in irregular waves for a constant PTO damping coefficient can be calculated, see [47], as:

$$P_{irr} = 2 \int_0^\infty \bar{P} S_w(\omega) d\omega \quad (13)$$

It has been proposed by [36] that the corresponding period for the optimised damping very likely falls between T_p (the longest period) and T_z (the shortest period). To more accurately acquire the optimised damping coefficients, the number of the periods between T_p and T_z can be divided into 20 or more even periods, and we can easily choose the period and damping coefficient corresponding to the most energy conversion as the optimization conditions.

3.2. Wave Scatter Diagram

Figure 5 shows a scatter diagram for the wave measured in Belmullet (Ireland; water depth = 50 m, 2008), in which the wave scatter diagram has been given in a format of IEC 62600-101 standard [48]. The average annual power is 69.86 kW/m, which is based on the middle wave height and period in each bin, rather than the high points with largest wave height and largest period for each bin, which give the average annual energy of 80.12 kW/m). It can be seen that the waves frequently happen for a certain wave periods and weight heights. For instance, the waves with wave periods ($T_e = 7.0$ s–12.5 s, corresponding to the frequency range 0.5–0.9 rad/s as suggested by Falcao [49]) happen at a probability of 0.94, meaning 94% of the waves fall to the range. Out of this period range, different waves may happen, but very occasionally.

| occurrence % | | Energy period, T_e (s) | | | | | | | | | | | | | | | | | | | | | | |
|------------------------------------|-----------|--------------------------|---------|---------|---------|---------|---------|---------|---------|---------|---------|----------|-----------|-----------|-----------|-----------|-----------|-----------|-----------|-----------|-----------|-----------|------|------|
| | | <5 | 5.0–5.5 | 5.5–6.0 | 6.0–6.5 | 6.5–7.0 | 7.0–7.5 | 7.5–8.0 | 8.0–8.5 | 8.5–9.0 | 9.0–9.5 | 9.5–10.0 | 10.0–10.5 | 10.5–11.0 | 11.0–11.5 | 11.5–12.0 | 12.0–12.5 | 12.5–13.0 | 13.0–13.5 | 13.5–14.0 | 14.0–14.5 | 14.5–15.0 | | |
| Significant wave height, H_s (m) | 14.0–14.5 | 0.00 | 0.00 | 0.00 | 0.00 | 0.00 | 0.00 | 0.00 | 0.00 | 0.00 | 0.00 | 0.00 | 0.00 | 0.00 | 0.00 | 0.00 | 0.00 | 0.00 | 0.00 | 0.00 | 0.00 | 0.00 | 0.00 | 0.05 |
| | 13.5–14.0 | 0.00 | 0.00 | 0.00 | 0.00 | 0.00 | 0.00 | 0.00 | 0.00 | 0.00 | 0.00 | 0.00 | 0.00 | 0.00 | 0.00 | 0.00 | 0.00 | 0.00 | 0.00 | 0.00 | 0.00 | 0.00 | 0.00 | 0.00 |
| | 13.0–13.5 | 0.00 | 0.00 | 0.00 | 0.00 | 0.00 | 0.00 | 0.00 | 0.00 | 0.00 | 0.00 | 0.00 | 0.00 | 0.00 | 0.00 | 0.00 | 0.00 | 0.00 | 0.00 | 0.00 | 0.00 | 0.00 | 0.00 | 0.00 |
| | 12.5–13.0 | 0.00 | 0.00 | 0.00 | 0.00 | 0.00 | 0.00 | 0.00 | 0.00 | 0.00 | 0.00 | 0.00 | 0.00 | 0.00 | 0.00 | 0.00 | 0.00 | 0.00 | 0.00 | 0.00 | 0.00 | 0.00 | 0.00 | 0.00 |
| | 12.0–12.5 | 0.00 | 0.00 | 0.00 | 0.00 | 0.00 | 0.00 | 0.00 | 0.00 | 0.00 | 0.00 | 0.00 | 0.00 | 0.00 | 0.00 | 0.00 | 0.00 | 0.00 | 0.00 | 0.00 | 0.00 | 0.00 | 0.05 | 0.00 |
| | 11.5–12.0 | 0.00 | 0.00 | 0.00 | 0.00 | 0.00 | 0.00 | 0.00 | 0.00 | 0.00 | 0.00 | 0.00 | 0.00 | 0.00 | 0.00 | 0.00 | 0.00 | 0.00 | 0.00 | 0.00 | 0.00 | 0.00 | 0.00 | 0.00 |
| | 11.0–11.5 | 0.00 | 0.00 | 0.00 | 0.00 | 0.00 | 0.00 | 0.00 | 0.00 | 0.00 | 0.00 | 0.00 | 0.00 | 0.00 | 0.00 | 0.00 | 0.00 | 0.00 | 0.00 | 0.00 | 0.00 | 0.00 | 0.00 | 0.00 |
| | 10.5–11.0 | 0.00 | 0.00 | 0.00 | 0.00 | 0.00 | 0.00 | 0.00 | 0.00 | 0.00 | 0.00 | 0.00 | 0.00 | 0.00 | 0.00 | 0.00 | 0.00 | 0.00 | 0.00 | 0.05 | 0.05 | 0.00 | 0.00 | 0.00 |
| | 10.0–10.5 | 0.00 | 0.00 | 0.00 | 0.00 | 0.00 | 0.00 | 0.00 | 0.00 | 0.00 | 0.00 | 0.00 | 0.00 | 0.00 | 0.00 | 0.00 | 0.00 | 0.00 | 0.05 | 0.05 | 0.00 | 0.00 | 0.00 | 0.00 |
| | 9.5–10.0 | 0.00 | 0.00 | 0.00 | 0.00 | 0.00 | 0.00 | 0.00 | 0.00 | 0.00 | 0.00 | 0.00 | 0.00 | 0.00 | 0.00 | 0.00 | 0.00 | 0.00 | 0.00 | 0.00 | 0.00 | 0.00 | 0.00 | 0.00 |
| | 9.0–9.5 | 0.00 | 0.00 | 0.00 | 0.00 | 0.00 | 0.00 | 0.00 | 0.00 | 0.00 | 0.00 | 0.00 | 0.00 | 0.00 | 0.00 | 0.00 | 0.05 | 0.00 | 0.00 | 0.00 | 0.00 | 0.00 | 0.00 | 0.00 |
| | 8.5–9.0 | 0.00 | 0.00 | 0.00 | 0.00 | 0.00 | 0.00 | 0.00 | 0.00 | 0.00 | 0.00 | 0.00 | 0.00 | 0.00 | 0.00 | 0.00 | 0.05 | 0.05 | 0.00 | 0.09 | 0.00 | 0.00 | 0.00 | 0.00 |
| | 8.0–8.5 | 0.00 | 0.00 | 0.00 | 0.00 | 0.00 | 0.00 | 0.00 | 0.00 | 0.00 | 0.00 | 0.00 | 0.00 | 0.00 | 0.00 | 0.00 | 0.09 | 0.00 | 0.09 | 0.00 | 0.00 | 0.00 | 0.00 | 0.00 |
| | 7.5–8.0 | 0.00 | 0.00 | 0.00 | 0.00 | 0.00 | 0.00 | 0.00 | 0.00 | 0.00 | 0.00 | 0.00 | 0.00 | 0.05 | 0.14 | 0.18 | 0.14 | 0.09 | 0.00 | 0.00 | 0.00 | 0.00 | 0.00 | 0.00 |
| | 7.0–7.5 | 0.00 | 0.00 | 0.00 | 0.00 | 0.00 | 0.00 | 0.00 | 0.00 | 0.00 | 0.00 | 0.00 | 0.00 | 0.09 | 0.23 | 0.46 | 0.23 | 0.18 | 0.00 | 0.00 | 0.00 | 0.00 | 0.00 | 0.00 |
| | 6.5–7.0 | 0.00 | 0.00 | 0.00 | 0.00 | 0.00 | 0.00 | 0.00 | 0.00 | 0.00 | 0.00 | 0.00 | 0.14 | 0.32 | 0.60 | 0.37 | 0.14 | 0.05 | 0.00 | 0.00 | 0.00 | 0.00 | 0.00 | 0.00 |
| | 6.0–6.5 | 0.00 | 0.00 | 0.00 | 0.00 | 0.00 | 0.00 | 0.00 | 0.00 | 0.00 | 0.00 | 0.00 | 0.28 | 0.46 | 0.64 | 0.50 | 0.28 | 0.05 | 0.05 | 0.00 | 0.00 | 0.00 | 0.00 | 0.00 |
| | 5.5–6.0 | 0.00 | 0.00 | 0.00 | 0.00 | 0.00 | 0.00 | 0.00 | 0.00 | 0.00 | 0.00 | 0.05 | 0.55 | 0.83 | 0.92 | 0.50 | 0.23 | 0.14 | 0.00 | 0.00 | 0.00 | 0.00 | 0.00 | 0.00 |
| | 5.0–5.5 | 0.00 | 0.00 | 0.00 | 0.00 | 0.00 | 0.00 | 0.00 | 0.00 | 0.00 | 0.23 | 0.55 | 1.06 | 1.61 | 0.92 | 0.28 | 0.18 | 0.05 | 0.00 | 0.00 | 0.00 | 0.00 | 0.00 | 0.00 |
| | 4.5–5.0 | 0.00 | 0.00 | 0.00 | 0.00 | 0.00 | 0.00 | 0.00 | 0.00 | 0.23 | 0.55 | 1.19 | 1.51 | 1.61 | 0.55 | 0.41 | 0.32 | 0.14 | 0.09 | 0.09 | 0.00 | 0.00 | 0.00 | 0.00 |
| 4.0–4.5 | 0.00 | 0.00 | 0.00 | 0.00 | 0.00 | 0.00 | 0.05 | 0.23 | 0.69 | 1.06 | 2.02 | 2.02 | 1.06 | 1.33 | 0.41 | 0.23 | 0.00 | 0.00 | 0.00 | 0.00 | 0.00 | 0.00 | 0.00 | |
| 3.5–4.0 | 0.00 | 0.00 | 0.00 | 0.00 | 0.00 | 0.00 | 0.05 | 0.32 | 0.87 | 1.06 | 2.06 | 1.65 | 1.24 | 0.60 | 0.50 | 0.09 | 0.05 | 0.05 | 0.05 | 0.00 | 0.00 | 0.00 | 0.00 | |
| 3.0–3.5 | 0.00 | 0.00 | 0.00 | 0.00 | 0.00 | 0.14 | 0.64 | 1.01 | 1.70 | 1.97 | 2.39 | 1.70 | 0.78 | 0.92 | 0.09 | 0.09 | 0.00 | 0.05 | 0.00 | 0.00 | 0.00 | 0.00 | 0.00 | |
| 2.5–3.0 | 0.00 | 0.00 | 0.00 | 0.05 | 0.14 | 0.78 | 1.06 | 1.19 | 1.65 | 2.06 | 1.74 | 1.33 | 0.55 | 0.46 | 0.32 | 0.18 | 0.05 | 0.05 | 0.05 | 0.00 | 0.00 | 0.00 | 0.00 | |
| 2.0–2.5 | 0.00 | 0.00 | 0.00 | 0.18 | 0.46 | 0.78 | 1.24 | 1.56 | 1.93 | 2.06 | 1.83 | 0.92 | 0.69 | 0.64 | 0.28 | 0.00 | 0.00 | 0.05 | 0.00 | 0.00 | 0.00 | 0.00 | 0.00 | |
| 1.5–2.0 | 0.00 | 0.05 | 0.14 | 0.37 | 0.37 | 0.96 | 1.19 | 1.56 | 1.61 | 1.65 | 1.56 | 0.83 | 0.23 | 0.28 | 0.28 | 0.05 | 0.09 | 0.00 | 0.00 | 0.00 | 0.00 | 0.00 | 0.00 | |
| 1.0–1.5 | 0.09 | 0.46 | 0.14 | 0.28 | 0.60 | 0.92 | 1.19 | 1.10 | 1.15 | 1.10 | 0.73 | 0.64 | 0.23 | 0.14 | 0.23 | 0.00 | 0.05 | 0.05 | 0.05 | 0.00 | 0.00 | 0.00 | 0.00 | |
| 0.5–1.0 | 0.14 | 0.09 | 0.05 | 0.14 | 0.05 | 0.23 | 0.18 | 0.32 | 0.64 | 0.18 | 0.73 | 0.60 | 0.41 | 0.09 | 0.09 | 0.00 | 0.09 | 0.00 | 0.00 | 0.00 | 0.00 | 0.00 | 0.00 | |
| 0.0–0.5 | 0.00 | 0.00 | 0.00 | 0.00 | 0.00 | 0.00 | 0.00 | 0.14 | 0.00 | 0.14 | 0.09 | 0.00 | 0.00 | 0.05 | 0.09 | 0.00 | 0.00 | 0.00 | 0.00 | 0.00 | 0.00 | 0.00 | 0.00 | |

Figure 5. Wave scatter diagram (Belmullet, Ireland 2008).

4. Examples and Analysis

4.1. Point Absorber

For the point absorber, the additional damping coefficients are only applied to the spar with $B_{33} = 40$ kN/(m/s), while for the torus structure, the dish-like structure provides a dominant radiation damping for the structure motion, hence an additional damping is not necessary. As such, it will be seen from the examples in this section that the responses of the heave motions of the two bodies of the point absorber is reasonable and believed to be practical. For the original RM3 design (i.e., the heave plate diameter is $D = 30$ m), the float has a heave resonance period of 5.37 s, but the spar has a heave

resonance of 36.96 s, meaning that the float moves in-phase with the wave when its period is larger than 5.37 s, while the spar moves out-of-phase with the wave when the wave period is less than 36.96 s (the dashed line in Figure 6). Apparently, these two heave resonance periods cover a large range of the waves. For a comparison, for the case of heave plate $D = 25$ m, the 2nd resonance period is 28.56 s (the solid line in Figure 6). It is interesting to note that from Figure 6, the larger difference between the two resonance periods, the smaller of the relative motion (RAO) (dashed lines in the figures) may have. It should be noted that the small relative motion (RAO) is generally not good for energy conversion.

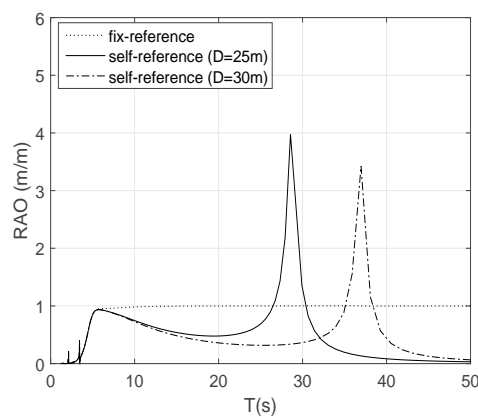


Figure 6. Heave and relative heave RAOs for the fix- and self-referenced PA ($D = 25$ m and $D = 30$ m).

4.1.1. Maximal Power Conversions in Regular Waves

The maximal capture power based on the optimised damping coefficient is calculated from Equation (10). Figure 7 shows the comparison of the maximal capture powers for the fix-referenced and self-referenced PAs ('fix-referenced' and 'self-referenced' in the legend) and the self-referenced devices are with two different heave plates ($D = 25$ m and $D = 30$ m). There is a gain for the self-referenced PA over a range of wave periods. For the case of $D = 30$ m, the gain is for the periods from 7 to 13 s, which just falls on the wave periods of interest based on common wave energy resource assessment, while for the case of $D = 25$ m, the gain for the periods of 6–11.5 s. For the self-referenced PAs, there are large but narrow peaks at $T = 10$ s for $D = 25$ m and $T = 12.1$ s for $D = 30$ m, which may be responsible for the capture power increase for the self-referenced PAs. It will be seen the gains for certain wave periods are very beneficial for increase the power conversion by the self-referenced PAs.

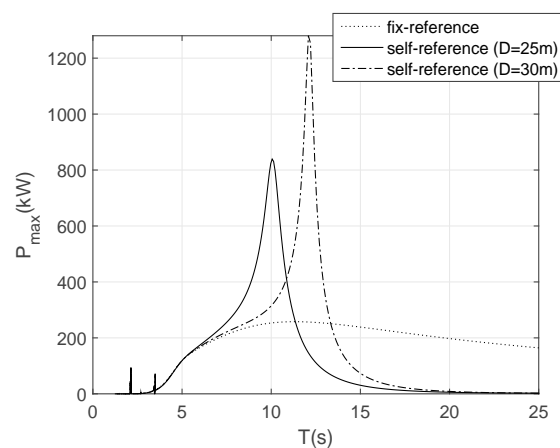


Figure 7. Maximal capture powers in regular waves ($D = 25$ m and $D = 30$ m).

4.1.2. Power Conversion in Irregular Waves

When the point absorber is placed in seas, the linear optimised damping coefficient for the PTO will be only dependent on the wave period/frequency, and independent of the wave height. For a given sea state, the optimised damping can be obtained using the method mentioned in Section 3.1. For a comparison, the maximal capture powers from irregular waves ($H_s = 2$ m for all the cases) for the different heave plates can be seen in Figure 8 (in which D20 means the heave plate diameter of 20 m and so on). From the curves, it can be seen that the cases of $D = 25$ m and $D = 27.5$ m give the highest energy conversion (~ 130 kW). In particular, for the case of $D = 25$ m, the self-referenced PA can extract more energy than the fix-referenced PA for the periods of 6 s to 12.5 s (slightly different from the gain for 6–11.5 s in regular waves). The wave periods from 6 to 12.5 s are normally the waves of most interest for wave energy conversion [49]. For a larger heave plate ($D = 30$ m), there will be a smaller increase in the capture power when compared to the fix-referenced PA, but it extends the wave period to 14.5 s for producing more energy than the fix-referenced PA.

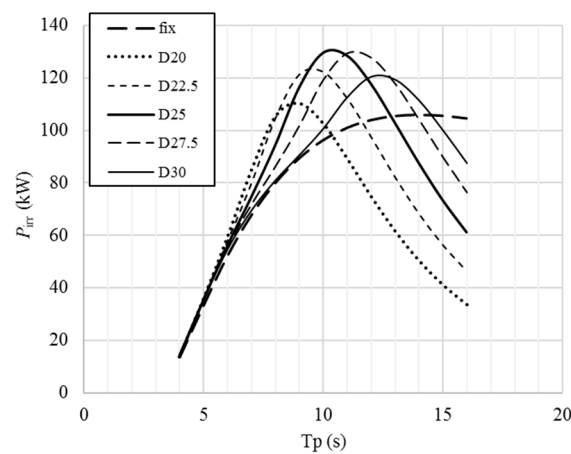


Figure 8. Power conversion from irregular waves.

Figure 9 shows the gains for the self-referenced PAs with different heave plates ($D = 25$ m and $D = 30$ m) (compared to fix-referenced PA). It can be seen that for the case for $D = 25$ m, big gains have been obtained from 6 to 12 s, and a largest gain occurs is an increase 35% of capture power at $T_p = 10$ s.

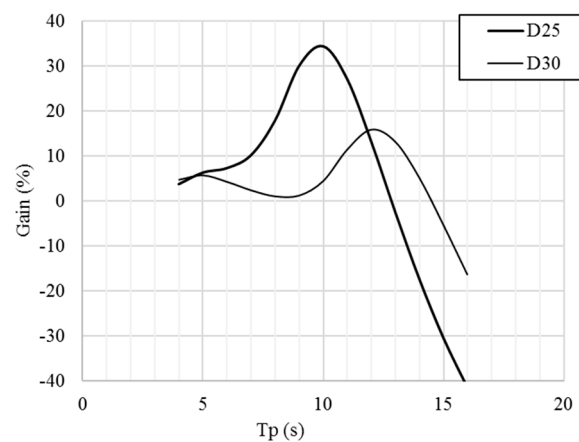


Figure 9. Capture power gains for the self-referenced PA when compared to the fix-referenced PA.

4.2. Oscillating Water Column

4.2.1. Heave Responses of the Floating and Fixed OWC

Figure 10 gives a comparison of the internal water surface responses of the floating and the fixed OWCs with a draft of 48 m (additional damping coefficients $B_{33} = B_{99} = 200 \text{ kN}/(\text{m}/\text{s})$ have been added to the heave motions of the structure and the water body). It can be seen that with a draft of 48 m, the fixed OWC has one resonance period of 14.3 s, same as the second resonance period in the floating OWC.

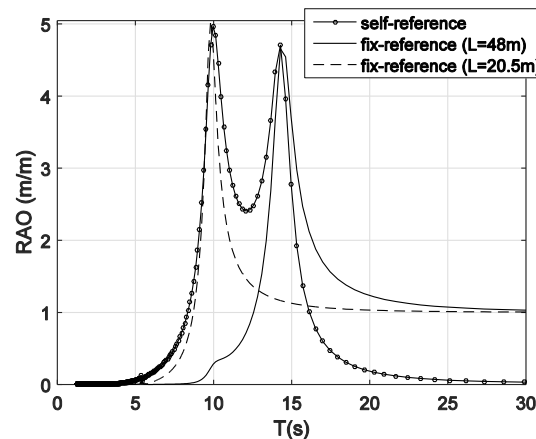


Figure 10. Response of motions for OWC power conversion ($L = 48 \text{ m}$ & $L = 20.5 \text{ m}$).

For a fairer comparison, the draft of the fixed OWC is shortened so to have a resonance period of $T_1 = 10.1 \text{ s}$, same as the first resonance period of the floating OWC. To get the required draft of the fixed OWC, the following equation is used for calculating the internal water motion resonance period T_0 [50]:

$$T_0 = 2\pi \sqrt{\frac{L + 0.41 \times S^{\frac{1}{2}}}{g}} \quad (14)$$

where L is the draft, S the sectional area of the water column, and g the acceleration of gravity.

For a target period $T = 10.1 \text{ s}$, the draft of the fixed OWC is calculated as $L = 20.5 \text{ m}$ (see Figure 4). Figure 10 shows the closeness of the water body heave response for the fixed shortened OWC. To get similar response at the resonance, for the fixed OWC, the additional damping coefficient is $B_{99} = 100 \text{ kN}/(\text{m}/\text{s})$. As such the comparison of the responses are plotted in Figure 10.

4.2.2. Power Conversion in Irregular Waves

The maximal capture power in regular waves is given in Figure 11 for a wave height of $H = 2 \text{ m}$. It can be seen that the floating OWC can be very efficient in converting wave energy for the wave periods from 9 s to 14 s, while for the longer fixed OWC, the maximal capture power is relatively small and narrowly banded, though it can take more energy from the very long waves of periods longer than 15 s (Figure 11). However, in reality, such long waves happen rarely, which may be excluded for energy conversion. For the fixed OWC (shorter version), its peak happens at $T = 10 \text{ s}$, but its peak value is much smaller than that of the floating OWC (Figure 11). Again, this fixed OWC can only generate more energy when the wave period is larger than 15 s.

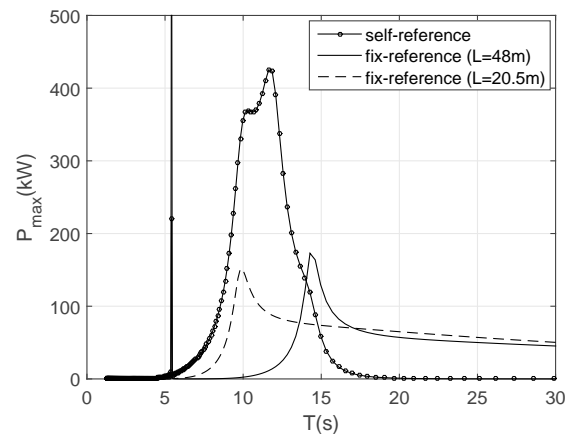


Figure 11. Maximal capture power in regular waves ($L = 48$ m for both fixed and floating OWCs).

4.2.3. Power Conversion in Irregular Waves

When considering the power extraction from irregular waves ($H_s = 2$ m for all the cases), Figure 12 shows the fixed and floating OWC with same draft ($L = 48$ m). It can be seen that the floating OWC can take much more energy out from waves for the waves of $T_e = 5$ s to 20 s, and the floating device generally converts 3–5 times more energy from the waves of periods of $T_e = 9$ –14 s. For the second case (Figure 12), the fixed OWC with a shorter draft can take more energy, but still very limit when compared to the floating OWC. Figure 13 shows the gains of the floating OWC compared to the fixed OWC. For the most happened waves (periods from 7 to 13 s), the floating OWC can take more than 200% of the wave energy when compared to the fixed OWC.

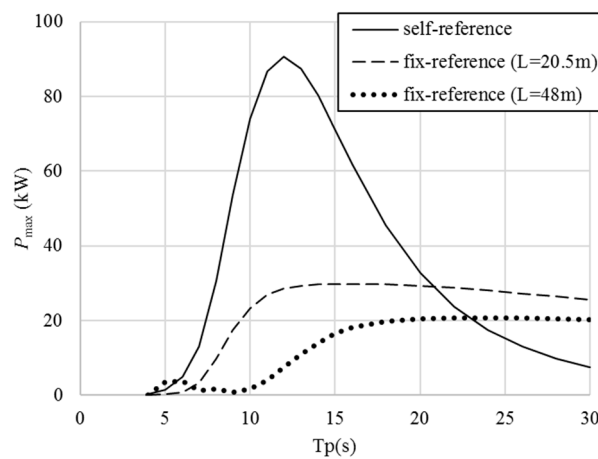


Figure 12. Power conversion in irregular waves ($L = 48$ m for both fixed and floating OWCs).

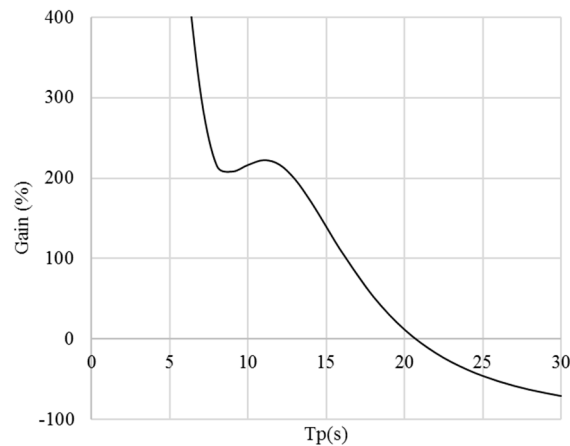


Figure 13. Gain of the floating OWC when compared to fixed OWC ($L = 20.5$ m for the fixed OWC and $L = 48$ m for the floating OWC).

5. Annual Wave Energy Conversions from Seas

As it is already shown above that the self-referenced/floating devices can extract more energy from certain given waves, in this section, the study will be on the annual energy conversions from seas for both the PAs and OWCs. Also, the PA with a heave plate of a diameter 25 m gives better wave energy conversion for the targeted waves. Hence in the following analysis, the PA with a heave plate of 25 m will be used.

Based on the power conversion curves in Figure 8 and the scatter diagram in Figure 5, the initial power matrix is proposed to be simply calculated using the following formula:

$$P_{ij} = \begin{cases} P_{irr}(T_{e,i}) \times H_{s,j}^2/4, & \text{if } P_{irr}(T_{e,i}) \times H_{s,j}^2/4 < 800 \\ 800, & \text{if } P_{irr}(T_{e,i}) \times H_{s,j}^2/4 \geq 800 \end{cases} \quad (15)$$

where $T_{e,i}$ is the i th horizontal bin in the following figure (note: the factor $\frac{1}{4}$ is used because the optimised capture power P_{irr} has been calculated using a significant wave height of 2 m), $H_{s,j}$ the j th vertical bin.

The power output has been capped by a simplified initial rated power of 800 kW, which is chosen for a general comparison. However, it must be noted that the recommended rated powers of the devices may not be good for the purpose of the comparisons, because the different deployments may lead to different rated power.

Based on the initial power matrix, the capture power in each bin can be easily calculated by:

$$E_{ij} = P_{ij} \times q_{ij} \times 8760/100 \quad (16)$$

where q_{ij} is the occurrence (in percentage) in the i th horizontal and j th vertical bin given in Figure 5, and in the formula, the constant 8760 is the number of hours in a year, 100 for the modification factor due to the fact in the scatter diagram, the percentage is used.

Figures 14 and 15 are the capture powers for the self-referenced PA and the fix-referenced PA. From the figures, it can be seen that the self-referenced PA can slightly capture more energy than the fix-referenced PA in most wave conditions (bins). The maximal capture powers for the self- and fix-referenced PAs happen at the same wave condition (the bin of wave height of 5.25 m and period of 10.75 s), with the maximal capture powers being 106.8 MWh and 104.4 MWh, respectively, a difference of 2.3%. For the smaller wave periods, the self-referenced PA can capture more energy than the fix-referenced PA. The annual capture powers are 2960 MWh and 2730 MWh, respectively. Overall, the self-referenced PA can capture 8.4% more energy than the fix-referenced PA annually.

| capture power (MWh) | | Energy period, Te (s) | | | | | | | | | | | | | | | | | | | | | | |
|---------------------------------|-------|-----------------------|------|------|------|------|------|------|------|------|------|-------|-------|-------|-------|-------|-------|-------|-------|-------|-------|-------|-----|-----|
| | | 5.00 | 5.25 | 5.75 | 6.25 | 6.75 | 7.25 | 7.75 | 8.25 | 8.75 | 9.25 | 9.75 | 10.25 | 10.75 | 11.25 | 11.75 | 12.25 | 12.75 | 13.25 | 13.75 | 14.25 | 14.75 | | |
| Significant wave height, Hs (m) | 14.25 | 0.0 | 0.0 | 0.0 | 0.0 | 0.0 | 0.0 | 0.0 | 0.0 | 0.0 | 0.0 | 0.0 | 0.0 | 0.0 | 0.0 | 0.0 | 0.0 | 0.0 | 0.0 | 0.0 | 0.0 | 0.0 | 3.5 | |
| | 13.75 | 0.0 | 0.0 | 0.0 | 0.0 | 0.0 | 0.0 | 0.0 | 0.0 | 0.0 | 0.0 | 0.0 | 0.0 | 0.0 | 0.0 | 0.0 | 0.0 | 0.0 | 0.0 | 0.0 | 0.0 | 0.0 | 0.0 | |
| | 13.25 | 0.0 | 0.0 | 0.0 | 0.0 | 0.0 | 0.0 | 0.0 | 0.0 | 0.0 | 0.0 | 0.0 | 0.0 | 0.0 | 0.0 | 0.0 | 0.0 | 0.0 | 0.0 | 0.0 | 0.0 | 0.0 | 0.0 | |
| | 12.75 | 0.0 | 0.0 | 0.0 | 0.0 | 0.0 | 0.0 | 0.0 | 0.0 | 0.0 | 0.0 | 0.0 | 0.0 | 0.0 | 0.0 | 0.0 | 0.0 | 0.0 | 0.0 | 0.0 | 0.0 | 0.0 | 0.0 | |
| | 12.25 | 0.0 | 0.0 | 0.0 | 0.0 | 0.0 | 0.0 | 0.0 | 0.0 | 0.0 | 0.0 | 0.0 | 0.0 | 0.0 | 0.0 | 0.0 | 0.0 | 0.0 | 0.0 | 0.0 | 0.0 | 3.5 | 0.0 | |
| | 11.75 | 0.0 | 0.0 | 0.0 | 0.0 | 0.0 | 0.0 | 0.0 | 0.0 | 0.0 | 0.0 | 0.0 | 0.0 | 0.0 | 0.0 | 0.0 | 0.0 | 0.0 | 0.0 | 0.0 | 0.0 | 0.0 | 0.0 | |
| | 11.25 | 0.0 | 0.0 | 0.0 | 0.0 | 0.0 | 0.0 | 0.0 | 0.0 | 0.0 | 0.0 | 0.0 | 0.0 | 0.0 | 0.0 | 0.0 | 0.0 | 0.0 | 0.0 | 0.0 | 0.0 | 0.0 | 0.0 | |
| | 10.75 | 0.0 | 0.0 | 0.0 | 0.0 | 0.0 | 0.0 | 0.0 | 0.0 | 0.0 | 0.0 | 0.0 | 0.0 | 0.0 | 0.0 | 0.0 | 0.0 | 0.0 | 0.0 | 0.0 | 3.5 | 3.5 | 0.0 | 0.0 |
| | 10.25 | 0.0 | 0.0 | 0.0 | 0.0 | 0.0 | 0.0 | 0.0 | 0.0 | 0.0 | 0.0 | 0.0 | 0.0 | 0.0 | 0.0 | 0.0 | 0.0 | 0.0 | 0.0 | 0.0 | 3.5 | 3.5 | 0.0 | 0.0 |
| | 9.75 | 0.0 | 0.0 | 0.0 | 0.0 | 0.0 | 0.0 | 0.0 | 0.0 | 0.0 | 0.0 | 0.0 | 0.0 | 0.0 | 0.0 | 0.0 | 0.0 | 0.0 | 0.0 | 0.0 | 0.0 | 0.0 | 0.0 | 0.0 |
| | 9.25 | 0.0 | 0.0 | 0.0 | 0.0 | 0.0 | 0.0 | 0.0 | 0.0 | 0.0 | 0.0 | 0.0 | 0.0 | 0.0 | 0.0 | 0.0 | 3.5 | 0.0 | 0.0 | 0.0 | 0.0 | 0.0 | 0.0 | 0.0 |
| | 8.75 | 0.0 | 0.0 | 0.0 | 0.0 | 0.0 | 0.0 | 0.0 | 0.0 | 0.0 | 0.0 | 0.0 | 0.0 | 0.0 | 0.0 | 0.0 | 3.5 | 3.5 | 0.0 | 6.3 | 0.0 | 0.0 | 0.0 | 0.0 |
| | 8.25 | 0.0 | 0.0 | 0.0 | 0.0 | 0.0 | 0.0 | 0.0 | 0.0 | 0.0 | 0.0 | 0.0 | 0.0 | 0.0 | 0.0 | 0.0 | 6.3 | 0.0 | 6.3 | 0.0 | 0.0 | 0.0 | 0.0 | 0.0 |
| | 7.75 | 0.0 | 0.0 | 0.0 | 0.0 | 0.0 | 0.0 | 0.0 | 0.0 | 0.0 | 0.0 | 0.0 | 0.0 | 0.0 | 3.5 | 9.8 | 12.6 | 9.8 | 6.3 | 0.0 | 0.0 | 0.0 | 0.0 | 0.0 |
| | 7.25 | 0.0 | 0.0 | 0.0 | 0.0 | 0.0 | 0.0 | 0.0 | 0.0 | 0.0 | 0.0 | 0.0 | 0.0 | 0.0 | 6.3 | 16.1 | 32.2 | 16.1 | 12.6 | 0.0 | 0.0 | 0.0 | 0.0 | 0.0 |
| | 6.75 | 0.0 | 0.0 | 0.0 | 0.0 | 0.0 | 0.0 | 0.0 | 0.0 | 0.0 | 0.0 | 0.0 | 0.0 | 9.8 | 22.4 | 25.9 | 42.0 | 25.9 | 9.8 | 3.4 | 0.0 | 0.0 | 0.0 | 0.0 |
| | 6.25 | 0.0 | 0.0 | 0.0 | 0.0 | 0.0 | 0.0 | 0.0 | 0.0 | 0.0 | 0.0 | 0.0 | 0.0 | 19.6 | 32.2 | 44.9 | 35.0 | 19.6 | 3.2 | 2.9 | 0.0 | 0.0 | 0.0 | 0.0 |
| | 5.75 | 0.0 | 0.0 | 0.0 | 0.0 | 0.0 | 0.0 | 0.0 | 0.0 | 0.0 | 0.0 | 3.5 | 38.5 | 58.2 | 64.5 | 33.3 | 13.9 | 7.6 | 0.0 | 0.0 | 0.0 | 0.0 | 0.0 | 0.0 |
| | 5.25 | 0.0 | 0.0 | 0.0 | 0.0 | 0.0 | 0.0 | 0.0 | 0.0 | 0.0 | 0.0 | 16.1 | 38.5 | 74.3 | 106.8 | 56.0 | 15.5 | 9.0 | 2.3 | 0.0 | 0.0 | 0.0 | 0.0 | 0.0 |
| | 4.75 | 0.0 | 0.0 | 0.0 | 0.0 | 0.0 | 0.0 | 0.0 | 0.0 | 14.8 | 35.2 | 73.6 | 88.2 | 87.4 | 27.4 | 18.6 | 13.2 | 5.2 | 3.0 | 2.7 | 0.0 | 0.0 | 0.0 | 0.0 |
| | 4.25 | 0.0 | 0.0 | 0.0 | 0.0 | 0.0 | 0.0 | 2.3 | 11.5 | 35.6 | 54.4 | 100.0 | 94.5 | 46.1 | 53.0 | 14.9 | 7.6 | 0.0 | 0.0 | 0.0 | 0.0 | 0.0 | 0.0 | 0.0 |
| | 3.75 | 0.0 | 0.0 | 0.0 | 0.0 | 0.0 | 0.0 | 1.8 | 12.5 | 34.9 | 42.3 | 79.4 | 60.1 | 42.0 | 18.6 | 14.1 | 2.3 | 1.2 | 1.0 | 0.9 | 0.0 | 0.0 | 0.0 | 0.0 |
| | 3.25 | 0.0 | 0.0 | 0.0 | 0.0 | 0.0 | 3.4 | 17.4 | 29.5 | 51.3 | 59.1 | 69.2 | 46.5 | 19.8 | 21.4 | 1.9 | 1.7 | 0.0 | 0.8 | 0.0 | 0.0 | 0.0 | 0.0 | 0.0 |
| | 2.75 | 0.0 | 0.0 | 0.0 | 0.7 | 2.1 | 13.5 | 20.6 | 24.9 | 35.6 | 44.2 | 36.1 | 26.0 | 10.0 | 7.7 | 4.9 | 2.5 | 0.6 | 0.6 | 0.5 | 0.0 | 0.0 | 0.0 | 0.0 |
| 2.25 | 0.0 | 0.0 | 0.0 | 1.6 | 4.7 | 9.1 | 16.1 | 21.9 | 27.9 | 29.6 | 25.4 | 12.1 | 8.4 | 7.2 | 2.9 | 0.0 | 0.0 | 0.4 | 0.0 | 0.0 | 0.0 | 0.0 | 0.0 | |
| 1.75 | 0.0 | 0.2 | 0.7 | 2.0 | 2.3 | 6.7 | 9.4 | 13.2 | 14.1 | 14.4 | 13.1 | 6.6 | 1.7 | 1.9 | 1.7 | 0.3 | 0.5 | 0.0 | 0.0 | 0.0 | 0.0 | 0.0 | 0.0 | |
| 1.25 | 0.2 | 0.9 | 0.3 | 0.8 | 1.9 | 3.3 | 4.8 | 4.8 | 5.1 | 4.9 | 3.1 | 2.6 | 0.9 | 0.5 | 0.7 | 0.0 | 0.1 | 0.1 | 0.1 | 0.0 | 0.0 | 0.0 | 0.0 | |
| 0.75 | 0.1 | 0.1 | 0.0 | 0.1 | 0.1 | 0.3 | 0.3 | 0.5 | 1.0 | 0.3 | 1.1 | 0.9 | 0.6 | 0.1 | 0.1 | 0.0 | 0.1 | 0.0 | 0.0 | 0.0 | 0.0 | 0.0 | 0.0 | |
| 0.25 | 0.0 | 0.0 | 0.0 | 0.0 | 0.0 | 0.0 | 0.0 | 0.0 | 0.0 | 0.0 | 0.0 | 0.0 | 0.0 | 0.0 | 0.0 | 0.0 | 0.0 | 0.0 | 0.0 | 0.0 | 0.0 | 0.0 | 0.0 | |

Figure 14. Self-referenced RM3 (annual power: 2960 MWh).

| capture power (MWh) | | Energy period, Te (s) | | | | | | | | | | | | | | | | | | | | | | |
|---------------------------------|-------|-----------------------|------|------|------|------|------|------|------|------|------|------|-------|-------|-------|-------|-------|-------|-------|-------|-------|-------|-----|-----|
| | | 5.00 | 5.25 | 5.75 | 6.25 | 6.75 | 7.25 | 7.75 | 8.25 | 8.75 | 9.25 | 9.75 | 10.25 | 10.75 | 11.25 | 11.75 | 12.25 | 12.75 | 13.25 | 13.75 | 14.25 | 14.75 | | |
| Significant wave height, Hs (m) | 14.25 | 0.0 | 0.0 | 0.0 | 0.0 | 0.0 | 0.0 | 0.0 | 0.0 | 0.0 | 0.0 | 0.0 | 0.0 | 0.0 | 0.0 | 0.0 | 0.0 | 0.0 | 0.0 | 0.0 | 0.0 | 0.0 | 3.5 | |
| | 13.75 | 0.0 | 0.0 | 0.0 | 0.0 | 0.0 | 0.0 | 0.0 | 0.0 | 0.0 | 0.0 | 0.0 | 0.0 | 0.0 | 0.0 | 0.0 | 0.0 | 0.0 | 0.0 | 0.0 | 0.0 | 0.0 | 0.0 | |
| | 13.25 | 0.0 | 0.0 | 0.0 | 0.0 | 0.0 | 0.0 | 0.0 | 0.0 | 0.0 | 0.0 | 0.0 | 0.0 | 0.0 | 0.0 | 0.0 | 0.0 | 0.0 | 0.0 | 0.0 | 0.0 | 0.0 | 0.0 | |
| | 12.75 | 0.0 | 0.0 | 0.0 | 0.0 | 0.0 | 0.0 | 0.0 | 0.0 | 0.0 | 0.0 | 0.0 | 0.0 | 0.0 | 0.0 | 0.0 | 0.0 | 0.0 | 0.0 | 0.0 | 0.0 | 0.0 | 0.0 | |
| | 12.25 | 0.0 | 0.0 | 0.0 | 0.0 | 0.0 | 0.0 | 0.0 | 0.0 | 0.0 | 0.0 | 0.0 | 0.0 | 0.0 | 0.0 | 0.0 | 0.0 | 0.0 | 0.0 | 0.0 | 0.0 | 3.5 | 0.0 | |
| | 11.75 | 0.0 | 0.0 | 0.0 | 0.0 | 0.0 | 0.0 | 0.0 | 0.0 | 0.0 | 0.0 | 0.0 | 0.0 | 0.0 | 0.0 | 0.0 | 0.0 | 0.0 | 0.0 | 0.0 | 0.0 | 0.0 | 0.0 | |
| | 11.25 | 0.0 | 0.0 | 0.0 | 0.0 | 0.0 | 0.0 | 0.0 | 0.0 | 0.0 | 0.0 | 0.0 | 0.0 | 0.0 | 0.0 | 0.0 | 0.0 | 0.0 | 0.0 | 0.0 | 0.0 | 0.0 | 0.0 | |
| | 10.75 | 0.0 | 0.0 | 0.0 | 0.0 | 0.0 | 0.0 | 0.0 | 0.0 | 0.0 | 0.0 | 0.0 | 0.0 | 0.0 | 0.0 | 0.0 | 0.0 | 0.0 | 0.0 | 0.0 | 3.5 | 3.5 | 0.0 | 0.0 |
| | 10.25 | 0.0 | 0.0 | 0.0 | 0.0 | 0.0 | 0.0 | 0.0 | 0.0 | 0.0 | 0.0 | 0.0 | 0.0 | 0.0 | 0.0 | 0.0 | 0.0 | 0.0 | 0.0 | 0.0 | 3.5 | 3.5 | 0.0 | 0.0 |
| | 9.75 | 0.0 | 0.0 | 0.0 | 0.0 | 0.0 | 0.0 | 0.0 | 0.0 | 0.0 | 0.0 | 0.0 | 0.0 | 0.0 | 0.0 | 0.0 | 0.0 | 0.0 | 0.0 | 0.0 | 0.0 | 0.0 | 0.0 | 0.0 |
| | 9.25 | 0.0 | 0.0 | 0.0 | 0.0 | 0.0 | 0.0 | 0.0 | 0.0 | 0.0 | 0.0 | 0.0 | 0.0 | 0.0 | 0.0 | 0.0 | 3.5 | 0.0 | 0.0 | 0.0 | 0.0 | 0.0 | 0.0 | 0.0 |
| | 8.75 | 0.0 | 0.0 | 0.0 | 0.0 | 0.0 | 0.0 | 0.0 | 0.0 | 0.0 | 0.0 | 0.0 | 0.0 | 0.0 | 0.0 | 0.0 | 3.5 | 3.5 | 0.0 | 6.3 | 0.0 | 0.0 | 0.0 | 0.0 |
| | 8.25 | 0.0 | 0.0 | 0.0 | 0.0 | 0.0 | 0.0 | 0.0 | 0.0 | 0.0 | 0.0 | 0.0 | 0.0 | 0.0 | 0.0 | 0.0 | 6.3 | 0.0 | 6.3 | 0.0 | 0.0 | 0.0 | 0.0 | 0.0 |
| | 7.75 | 0.0 | 0.0 | 0.0 | 0.0 | 0.0 | 0.0 | 0.0 | 0.0 | 0.0 | 0.0 | 0.0 | 0.0 | 0.0 | 3.5 | 9.8 | 12.6 | 9.8 | 6.3 | 0.0 | 0.0 | 0.0 | 0.0 | 0.0 |
| | 7.25 | 0.0 | 0.0 | 0.0 | 0.0 | 0.0 | 0.0 | 0.0 | 0.0 | 0.0 | 0.0 | 0.0 | 0.0 | 0.0 | 6.3 | 16.1 | 32.2 | 16.1 | 12.6 | 0.0 | 0.0 | 0.0 | 0.0 | 0.0 |
| | 6.75 | 0.0 | 0.0 | 0.0 | 0.0 | 0.0 | 0.0 | 0.0 | 0.0 | 0.0 | 0.0 | 0.0 | 0.0 | 9.8 | 22.4 | 25.9 | 42.0 | 25.9 | 9.8 | 3.5 | 0.0 | 0.0 | 0.0 | 0.0 |
| | 6.25 | 0.0 | 0.0 | 0.0 | 0.0 | 0.0 | 0.0 | 0.0 | 0.0 | 0.0 | 0.0 | 0.0 | 0.0 | 19.6 | 32.2 | 44.9 | 35.0 | 19.6 | 3.5 | 3.5 | 0.0 | 0.0 | 0.0 | 0.0 |
| | 5.75 | 0.0 | 0.0 | 0.0 | 0.0 | 0.0 | 0.0 | 0.0 | 0.0 | 0.0 | 0.0 | 3.5 | 38.5 | 58.2 | 64.5 | 35.0 | 16.1 | 9.8 | 0.0 | 0.0 | 0.0 | 0.0 | 0.0 | 0.0 |
| | 5.25 | 0.0 | 0.0 | 0.0 | 0.0 | 0.0 | 0.0 | 0.0 | 0.0 | 0.0 | 0.0 | 14.3 | 34.8 | 68.0 | 104.4 | 60.0 | 18.3 | 11.8 | 3.3 | 0.0 | 0.0 | 0.0 | 0.0 | 0.0 |
| | 4.75 | 0.0 | 0.0 | 0.0 | 0.0 | 0.0 | 0.0 | 0.0 | 0.0 | 11.4 | 27.9 | 61.6 | 79.3 | 85.4 | 29.4 | 21.9 | 17.1 | 7.5 | 4.8 | 4.7 | 0.0 | 0.0 | 0.0 | 0.0 |
| | 4.25 | 0.0 | 0.0 | 0.0 | 0.0 | 0.0 | 0.0 | 1.8 | 8.8 | 27.3 | 43.1 | 83.7 | 85.0 | 45.0 | 56.8 | 17.6 | 9.8 | 0.0 | 0.0 | 0.0 | 0.0 | 0.0 | 0.0 | 0.0 |
| | 3.75 | 0.0 | 0.0 | 0.0 | 0.0 | 0.0 | 0.0 | 1.4 | 9.5 | 26.8 | 33.5 | 66.5 | 54.0 | 41.0 | 20.0 | 16.7 | 3.0 | 1.7 | 1.7 | 1.6 | 0.0 | 0.0 | 0.0 | 0.0 |
| | 3.25 | 0.0 | 0.0 | 0.0 | 0.0 | 0.0 | 2.8 | 13.7 | 22.6 | 39.3 | 46.8 | 57.9 | 41.8 | 19.4 | 23.0 | 2.3 | 2.3 | 0.0 | 1.2 | 0.0 | 0.0 | 0.0 | 0.0 | 0.0 |
| | 2.75 | 0.0 | 0.0 | 0.0 | 0.6 | 1.9 | 11.3 | 16.2 | 19.0 | 27.3 | 35.0 | 30.2 | 23.4 | 9.8 | 8.2 | 5.7 | 3.2 | 0.9 | 0.9 | 0.9 | 0.0 | 0.0 | 0.0 | 0.0 |
| 2.25 | 0.0 | 0.0 | 0.0 | 1.5 | 4.1 | 7.5 | 12.7 | 16.7 | 21.4 | 23.5 | 21.3 | 10.8 | 8.2 | 7.7 | 3.4 | 0.0 | 0.0 | 0.6 | 0.0 | 0.0 | 0.0 | 0.0 | 0.0 | |
| 1.75 | 0.0 | 0.2 | 0.6 | 1.8 | 2.0 | 5.6 | 7.4 | 10.1 | 10.8 | 11.4 | 11.0 | 5.9 | 1.7 | 2.0 | 2.0 | 0.4 | 0.7 | 0.0 | 0.0 | 0.0 | 0.0 | 0.0 | 0.0 | |
| 1.25 | 0.2 | 0.9 | 0.3 | 0.7 | 1.7 | 2.7 | 3.8 | 3.6 | 3.9 | 3.9 | 2.6 | 2.3 | 0.8 | 0.5 | 0.9 | 0.0 | 0.2 | 0.2 | 0.2 | 0.0 | 0.0 | 0.0 | 0.0 | |
| 0.75 | 0.1 | 0.1 | 0.0 | 0.1 | 0.1 | 0.2 | 0.2 | 0.4 | 0.8 | 0.2 | 0.9 | 0.8 | 0.5 | 0.1 | 0.1 | 0.0 | 0.1 | 0.0 | 0.0 | 0.0 | 0.0 | 0.0 | 0.0 | |
| 0.25 | 0.0 | 0.0 | 0.0 | 0.0 | 0.0 | 0.0 | 0.0 | 0.0 | 0.0 | 0.0 | 0.0 | 0.0 | 0.0 | 0.0 | 0.0 | 0.0 | 0.0 | 0.0 | 0.0 | 0.0 | 0.0 | 0.0 | 0.0 | |

Figure 15.

| capture power (MWh) | Energy period, Te (s) | | | | | | | | | | | | | | | | | | | | | | |
|---------------------------------|-----------------------|------|------|------|------|------|------|------|------|------|------|-------|-------|-------|-------|-------|-------|-------|-------|-------|-------|-----|-----|
| | 5.00 | 5.25 | 5.75 | 6.25 | 6.75 | 7.25 | 7.75 | 8.25 | 8.75 | 9.25 | 9.75 | 10.25 | 10.75 | 11.25 | 11.75 | 12.25 | 12.75 | 13.25 | 13.75 | 14.25 | 14.75 | | |
| Significant wave height, Hs (m) | 14.25 | 0.0 | 0.0 | 0.0 | 0.0 | 0.0 | 0.0 | 0.0 | 0.0 | 0.0 | 0.0 | 0.0 | 0.0 | 0.0 | 0.0 | 0.0 | 0.0 | 0.0 | 0.0 | 0.0 | 0.0 | 3.5 | |
| | 13.75 | 0.0 | 0.0 | 0.0 | 0.0 | 0.0 | 0.0 | 0.0 | 0.0 | 0.0 | 0.0 | 0.0 | 0.0 | 0.0 | 0.0 | 0.0 | 0.0 | 0.0 | 0.0 | 0.0 | 0.0 | 0.0 | |
| | 13.25 | 0.0 | 0.0 | 0.0 | 0.0 | 0.0 | 0.0 | 0.0 | 0.0 | 0.0 | 0.0 | 0.0 | 0.0 | 0.0 | 0.0 | 0.0 | 0.0 | 0.0 | 0.0 | 0.0 | 0.0 | 0.0 | |
| | 12.75 | 0.0 | 0.0 | 0.0 | 0.0 | 0.0 | 0.0 | 0.0 | 0.0 | 0.0 | 0.0 | 0.0 | 0.0 | 0.0 | 0.0 | 0.0 | 0.0 | 0.0 | 0.0 | 0.0 | 0.0 | 0.0 | |
| | 12.25 | 0.0 | 0.0 | 0.0 | 0.0 | 0.0 | 0.0 | 0.0 | 0.0 | 0.0 | 0.0 | 0.0 | 0.0 | 0.0 | 0.0 | 0.0 | 0.0 | 0.0 | 0.0 | 0.0 | 0.0 | 3.5 | |
| | 11.75 | 0.0 | 0.0 | 0.0 | 0.0 | 0.0 | 0.0 | 0.0 | 0.0 | 0.0 | 0.0 | 0.0 | 0.0 | 0.0 | 0.0 | 0.0 | 0.0 | 0.0 | 0.0 | 0.0 | 0.0 | 0.0 | |
| | 11.25 | 0.0 | 0.0 | 0.0 | 0.0 | 0.0 | 0.0 | 0.0 | 0.0 | 0.0 | 0.0 | 0.0 | 0.0 | 0.0 | 0.0 | 0.0 | 0.0 | 0.0 | 0.0 | 0.0 | 0.0 | 0.0 | |
| | 10.75 | 0.0 | 0.0 | 0.0 | 0.0 | 0.0 | 0.0 | 0.0 | 0.0 | 0.0 | 0.0 | 0.0 | 0.0 | 0.0 | 0.0 | 0.0 | 0.0 | 0.0 | 0.0 | 3.5 | 3.5 | 0.0 | 0.0 |
| | 10.25 | 0.0 | 0.0 | 0.0 | 0.0 | 0.0 | 0.0 | 0.0 | 0.0 | 0.0 | 0.0 | 0.0 | 0.0 | 0.0 | 0.0 | 0.0 | 0.0 | 0.0 | 0.0 | 3.5 | 3.5 | 0.0 | 0.0 |
| | 9.75 | 0.0 | 0.0 | 0.0 | 0.0 | 0.0 | 0.0 | 0.0 | 0.0 | 0.0 | 0.0 | 0.0 | 0.0 | 0.0 | 0.0 | 0.0 | 0.0 | 0.0 | 0.0 | 0.0 | 0.0 | 0.0 | 0.0 |
| | 9.25 | 0.0 | 0.0 | 0.0 | 0.0 | 0.0 | 0.0 | 0.0 | 0.0 | 0.0 | 0.0 | 0.0 | 0.0 | 0.0 | 0.0 | 0.0 | 3.5 | 0.0 | 0.0 | 0.0 | 0.0 | 0.0 | 0.0 |
| | 8.75 | 0.0 | 0.0 | 0.0 | 0.0 | 0.0 | 0.0 | 0.0 | 0.0 | 0.0 | 0.0 | 0.0 | 0.0 | 0.0 | 0.0 | 3.5 | 3.5 | 0.0 | 6.3 | 6.3 | 0.0 | 0.0 | 0.0 |
| | 8.25 | 0.0 | 0.0 | 0.0 | 0.0 | 0.0 | 0.0 | 0.0 | 0.0 | 0.0 | 0.0 | 0.0 | 0.0 | 0.0 | 0.0 | 6.3 | 0.0 | 6.3 | 0.0 | 0.0 | 0.0 | 0.0 | 0.0 |
| | 7.75 | 0.0 | 0.0 | 0.0 | 0.0 | 0.0 | 0.0 | 0.0 | 0.0 | 0.0 | 0.0 | 0.0 | 0.0 | 3.5 | 9.8 | 12.6 | 9.8 | 6.3 | 0.0 | 0.0 | 0.0 | 0.0 | 0.0 |
| | 7.25 | 0.0 | 0.0 | 0.0 | 0.0 | 0.0 | 0.0 | 0.0 | 0.0 | 0.0 | 0.0 | 0.0 | 0.0 | 6.3 | 16.1 | 32.2 | 16.1 | 12.6 | 0.0 | 0.0 | 0.0 | 0.0 | 0.0 |
| | 6.75 | 0.0 | 0.0 | 0.0 | 0.0 | 0.0 | 0.0 | 0.0 | 0.0 | 0.0 | 0.0 | 0.0 | 9.8 | 22.4 | 25.9 | 42.0 | 25.9 | 9.8 | 3.3 | 0.0 | 0.0 | 0.0 | 0.0 |
| | 6.25 | 0.0 | 0.0 | 0.0 | 0.0 | 0.0 | 0.0 | 0.0 | 0.0 | 0.0 | 0.0 | 0.0 | 19.6 | 32.2 | 44.9 | 35.0 | 18.6 | 3.1 | 2.9 | 0.0 | 0.0 | 0.0 | 0.0 |
| | 5.75 | 0.0 | 0.0 | 0.0 | 0.0 | 0.0 | 0.0 | 0.0 | 0.0 | 0.0 | 0.0 | 3.2 | 36.0 | 53.8 | 57.8 | 29.9 | 12.9 | 7.3 | 0.0 | 0.0 | 0.0 | 0.0 | 0.0 |
| | 5.25 | 0.0 | 0.0 | 0.0 | 0.0 | 0.0 | 0.0 | 0.0 | 0.0 | 0.0 | 11.8 | 29.6 | 57.9 | 87.0 | 48.2 | 14.0 | 8.4 | 2.2 | 0.0 | 0.0 | 0.0 | 0.0 | 0.0 |
| | 4.75 | 0.0 | 0.0 | 0.0 | 0.0 | 0.0 | 0.0 | 0.0 | 0.0 | 8.8 | 23.0 | 52.4 | 67.5 | 71.2 | 23.6 | 16.7 | 12.3 | 5.0 | 3.0 | 2.7 | 0.0 | 0.0 | 0.0 |
| | 4.25 | 0.0 | 0.0 | 0.0 | 0.0 | 0.0 | 0.0 | 1.1 | 6.1 | 21.1 | 35.5 | 71.2 | 72.3 | 37.5 | 45.6 | 13.4 | 7.1 | 0.0 | 0.0 | 0.0 | 0.0 | 0.0 | 0.0 |
| | 3.75 | 0.0 | 0.0 | 0.0 | 0.0 | 0.0 | 0.0 | 0.8 | 6.6 | 20.7 | 27.7 | 56.5 | 46.0 | 34.2 | 16.0 | 12.7 | 2.2 | 1.1 | 1.0 | 0.9 | 0.0 | 0.0 | 0.0 |
| | 3.25 | 0.0 | 0.0 | 0.0 | 0.0 | 0.0 | 1.3 | 8.1 | 15.7 | 30.4 | 38.6 | 49.2 | 35.6 | 16.2 | 18.5 | 1.7 | 1.6 | 0.0 | 0.8 | 0.0 | 0.0 | 0.0 | 0.0 |
| 2.75 | 0.0 | 0.0 | 0.0 | 0.1 | 0.6 | 5.3 | 9.6 | 13.2 | 21.1 | 28.9 | 25.7 | 19.9 | 8.2 | 6.6 | 4.4 | 2.3 | 0.6 | 0.6 | 0.5 | 0.0 | 0.0 | 0.0 | |
| 2.25 | 0.0 | 0.0 | 0.0 | 0.3 | 1.4 | 3.5 | 7.5 | 11.6 | 16.5 | 19.4 | 18.1 | 9.2 | 6.9 | 6.2 | 2.6 | 0.0 | 0.0 | 0.4 | 0.0 | 0.0 | 0.0 | 0.0 | |
| 1.75 | 0.0 | 0.0 | 0.1 | 0.4 | 0.7 | 2.6 | 4.3 | 7.0 | 8.3 | 9.4 | 9.3 | 5.0 | 1.4 | 1.6 | 1.6 | 0.3 | 0.4 | 0.0 | 0.0 | 0.0 | 0.0 | 0.0 | |
| 1.25 | 0.0 | 0.1 | 0.0 | 0.2 | 0.6 | 1.3 | 2.2 | 2.5 | 3.0 | 3.2 | 2.2 | 2.0 | 0.7 | 0.4 | 0.7 | 0.0 | 0.1 | 0.1 | 0.1 | 0.0 | 0.0 | 0.0 | |
| 0.75 | 0.0 | 0.0 | 0.0 | 0.0 | 0.0 | 0.1 | 0.1 | 0.3 | 0.6 | 0.2 | 0.8 | 0.7 | 0.5 | 0.1 | 0.1 | 0.0 | 0.1 | 0.0 | 0.0 | 0.0 | 0.0 | 0.0 | |
| 0.25 | 0.0 | 0.0 | 0.0 | 0.0 | 0.0 | 0.0 | 0.0 | 0.0 | 0.0 | 0.0 | 0.0 | 0.0 | 0.0 | 0.0 | 0.0 | 0.0 | 0.0 | 0.0 | 0.0 | 0.0 | 0.0 | 0.0 | |

Figure 16. Floating OWC (annual power: 2300 MWh).

| capture power (MWh) | Energy period, Te (s) | | | | | | | | | | | | | | | | | | | | | | |
|---------------------------------|-----------------------|------|------|------|------|------|------|------|------|------|------|-------|-------|-------|-------|-------|-------|-------|-------|-------|-------|-----|-----|
| | 5.00 | 5.25 | 5.75 | 6.25 | 6.75 | 7.25 | 7.75 | 8.25 | 8.75 | 9.25 | 9.75 | 10.25 | 10.75 | 11.25 | 11.75 | 12.25 | 12.75 | 13.25 | 13.75 | 14.25 | 14.75 | | |
| Significant wave height, Hs (m) | 14.25 | 0.0 | 0.0 | 0.0 | 0.0 | 0.0 | 0.0 | 0.0 | 0.0 | 0.0 | 0.0 | 0.0 | 0.0 | 0.0 | 0.0 | 0.0 | 0.0 | 0.0 | 0.0 | 0.0 | 0.0 | 3.5 | |
| | 13.75 | 0.0 | 0.0 | 0.0 | 0.0 | 0.0 | 0.0 | 0.0 | 0.0 | 0.0 | 0.0 | 0.0 | 0.0 | 0.0 | 0.0 | 0.0 | 0.0 | 0.0 | 0.0 | 0.0 | 0.0 | 0.0 | |
| | 13.25 | 0.0 | 0.0 | 0.0 | 0.0 | 0.0 | 0.0 | 0.0 | 0.0 | 0.0 | 0.0 | 0.0 | 0.0 | 0.0 | 0.0 | 0.0 | 0.0 | 0.0 | 0.0 | 0.0 | 0.0 | 0.0 | |
| | 12.75 | 0.0 | 0.0 | 0.0 | 0.0 | 0.0 | 0.0 | 0.0 | 0.0 | 0.0 | 0.0 | 0.0 | 0.0 | 0.0 | 0.0 | 0.0 | 0.0 | 0.0 | 0.0 | 0.0 | 0.0 | 0.0 | |
| | 12.25 | 0.0 | 0.0 | 0.0 | 0.0 | 0.0 | 0.0 | 0.0 | 0.0 | 0.0 | 0.0 | 0.0 | 0.0 | 0.0 | 0.0 | 0.0 | 0.0 | 0.0 | 0.0 | 0.0 | 0.0 | 3.5 | |
| | 11.75 | 0.0 | 0.0 | 0.0 | 0.0 | 0.0 | 0.0 | 0.0 | 0.0 | 0.0 | 0.0 | 0.0 | 0.0 | 0.0 | 0.0 | 0.0 | 0.0 | 0.0 | 0.0 | 0.0 | 0.0 | 0.0 | |
| | 11.25 | 0.0 | 0.0 | 0.0 | 0.0 | 0.0 | 0.0 | 0.0 | 0.0 | 0.0 | 0.0 | 0.0 | 0.0 | 0.0 | 0.0 | 0.0 | 0.0 | 0.0 | 0.0 | 0.0 | 0.0 | 0.0 | |
| | 10.75 | 0.0 | 0.0 | 0.0 | 0.0 | 0.0 | 0.0 | 0.0 | 0.0 | 0.0 | 0.0 | 0.0 | 0.0 | 0.0 | 0.0 | 0.0 | 0.0 | 0.0 | 0.0 | 3.5 | 3.5 | 0.0 | 0.0 |
| | 10.25 | 0.0 | 0.0 | 0.0 | 0.0 | 0.0 | 0.0 | 0.0 | 0.0 | 0.0 | 0.0 | 0.0 | 0.0 | 0.0 | 0.0 | 0.0 | 0.0 | 0.0 | 0.0 | 3.4 | 3.4 | 0.0 | 0.0 |
| | 9.75 | 0.0 | 0.0 | 0.0 | 0.0 | 0.0 | 0.0 | 0.0 | 0.0 | 0.0 | 0.0 | 0.0 | 0.0 | 0.0 | 0.0 | 0.0 | 0.0 | 0.0 | 0.0 | 0.0 | 0.0 | 0.0 | 0.0 |
| | 9.25 | 0.0 | 0.0 | 0.0 | 0.0 | 0.0 | 0.0 | 0.0 | 0.0 | 0.0 | 0.0 | 0.0 | 0.0 | 0.0 | 0.0 | 2.8 | 0.0 | 0.0 | 0.0 | 0.0 | 0.0 | 0.0 | 0.0 |
| | 8.75 | 0.0 | 0.0 | 0.0 | 0.0 | 0.0 | 0.0 | 0.0 | 0.0 | 0.0 | 0.0 | 0.0 | 0.0 | 0.0 | 0.0 | 2.5 | 2.5 | 0.0 | 4.5 | 0.0 | 0.0 | 0.0 | 0.0 |
| | 8.25 | 0.0 | 0.0 | 0.0 | 0.0 | 0.0 | 0.0 | 0.0 | 0.0 | 0.0 | 0.0 | 0.0 | 0.0 | 0.0 | 0.0 | 4.0 | 0.0 | 4.0 | 0.0 | 0.0 | 0.0 | 0.0 | 0.0 |
| | 7.75 | 0.0 | 0.0 | 0.0 | 0.0 | 0.0 | 0.0 | 0.0 | 0.0 | 0.0 | 0.0 | 0.0 | 0.0 | 1.9 | 5.4 | 7.0 | 5.5 | 3.5 | 0.0 | 0.0 | 0.0 | 0.0 | 0.0 |
| | 7.25 | 0.0 | 0.0 | 0.0 | 0.0 | 0.0 | 0.0 | 0.0 | 0.0 | 0.0 | 0.0 | 0.0 | 0.0 | 3.0 | 7.8 | 15.6 | 7.9 | 6.2 | 0.0 | 0.0 | 0.0 | 0.0 | 0.0 |
| | 6.75 | 0.0 | 0.0 | 0.0 | 0.0 | 0.0 | 0.0 | 0.0 | 0.0 | 0.0 | 0.0 | 0.0 | 4.0 | 9.3 | 10.8 | 17.7 | 10.9 | 4.2 | 1.5 | 0.0 | 0.0 | 0.0 | 0.0 |
| | 6.25 | 0.0 | 0.0 | 0.0 | 0.0 | 0.0 | 0.0 | 0.0 | 0.0 | 0.0 | 0.0 | 0.0 | 6.8 | 11.4 | 16.1 | 12.6 | 7.1 | 1.3 | 1.3 | 0.0 | 0.0 | 0.0 | 0.0 |
| | 5.75 | 0.0 | 0.0 | 0.0 | 0.0 | 0.0 | 0.0 | 0.0 | 0.0 | 0.0 | 1.0 | 11.4 | 17.4 | 19.5 | 10.7 | 4.9 | 3.0 | 0.0 | 0.0 | 0.0 | 0.0 | 0.0 | 0.0 |
| | 5.25 | 0.0 | 0.0 | 0.0 | 0.0 | 0.0 | 0.0 | 0.0 | 0.0 | 0.0 | 3.6 | 9.2 | 18.2 | 28.2 | 16.3 | 5.0 | 3.2 | 0.9 | 0.0 | 0.0 | 0.0 | 0.0 | 0.0 |
| | 4.75 | 0.0 | 0.0 | 0.0 | 0.0 | 0.0 | 0.0 | 0.0 | 0.0 | 2.8 | 7.1 | 16.3 | 21.3 | 23.1 | 8.0 | 6.0 | 4.7 | 2.1 | 1.3 | 1.3 | 0.0 | 0.0 | 0.0 |
| | 4.25 | 0.0 | 0.0 | 0.0 | 0.0 | 0.0 | 0.0 | 0.3 | 1.9 | 6.6 | 11.0 | 22.1 | 22.8 | 12.2 | 15.4 | 4.8 | 2.7 | 0.0 | 0.0 | 0.0 | 0.0 | 0.0 | 0.0 |
| | 3.75 | 0.0 | 0.0 | 0.0 | 0.0 | 0.0 | 0.0 | 0.3 | 2.1 | 6.5 | 8.6 | 17.5 | 14.5 | 11.1 | 5.4 | 4.5 | 0.8 | 0.5 | 0.5 | 0.5 | 0.0 | 0.0 | 0.0 |
| | 3.25 | 0.0 | 0.0 | 0.0 | 0.0 | 0.4 | 2.6 | 5.0 | 9.5 | 12.0 | 15.3 | 11.2 | 5.2 | 6.2 | 0.6 | 0.6 | 0.0 | 0.3 | 0.0 | 0.0 | 0.0 | 0.0 | 0.0 |
| 2.75 | 0.0 | 0.0 | 0.0 | 0.0 | 0.2 | 1.7 | 3.1 | 4.2 | 6.6 | 9.0 | 8.0 | 6.3 | 2.6 | 2.2 | 1.6 | 0.9 | 0.2 | 0.2 | 0.2 | 0.0 | 0.0 | 0.0 | |
| 2.25 | 0.0 | 0.0 | 0.0 | 0.1 | 0.4 | 1.1 | 2.4 | 3.7 | 5.2 | 6.0 | 5.6 | 2.9 | 2.2 | 2.1 | 0.9 | 0.0 | 0.0 | 0.2 | 0.0 | 0.0 | 0.0 | 0.0 | |
| 1.75 | 0.0 | 0.0 | 0.0 | 0.1 | 0.2 | 0.9 | 1.4 | 2.2 | 2.6 | 2.9 | 2.9 | 1.6 | 0.4 | 0.6 | 0.6 | 0.1 | 0.2 | 0.0 | 0.0 | 0.0 | 0.0 | 0.0 | |
| 1.25 | 0.0 | 0.0 | 0.0 | 0.0 | 0.2 | 0.4 | 0.7 | 0.8 | 1.0 | 1.0 | 0.7 | 0.6 | 0.2 | 0.1 | 0.2 | 0.0 | 0.1 | 0.1 | 0.1 | 0.0 | 0.0 | 0.0 | |
| 0.75 | 0.0 | 0.0 | 0.0 | 0.0 | 0.0 | 0.0 | 0.1 | 0.2 | 0.1 | 0.2 | 0.2 | 0.1 | 0.0 | 0.0 | 0.0 | 0.0 | 0.0 | 0.0 | 0.0 | 0.0 | 0.0 | 0.0 | |
| 0.25 | 0.0 | 0.0 | 0.0 | 0.0 | 0.0 | 0.0 | 0.0 | 0.0 | 0.0 | 0.0 | 0.0 | 0.0 | 0.0 | 0.0 | 0.0 | 0.0 | 0.0 | 0.0 | 0.0 | 0.0 | 0.0 | 0.0 | |

Figure 17. Fixed OWC (L = 20.5 m, annual power: 812 MWh).

6. Discussion

From the examples above, it can be seen the floating/self-referenced wave energy converters can capture more energy from sea than their fixed or fixed-referenced device counterparts. The main reason for this is that the floating or self-referenced wave energy converters can utilize the structure motion or relative motion for improving energy conversion. This is especially true for the floating OWC. When compared to the fixed OWC, the structure heave motion is very important for improving wave energy conversion capacity, in particular for those target waves. The difference between the two responses of their heave motions can largely improve the response and power performance in a wider bandwidth

(see Figure 10), and as such, the relative motion can be enlarged so for significant improvement of the wave energy capture capacity for the waves of interest (Figure 11). This improvement can benefit both the power performance and the device survivability, since the floating device can be much more efficient in the most occurred waves but less efficient for the long waves (Figure 12). The latter is important for the device survivability for being more compliant in the extreme waves and for the avoidance of over-powering problems in the very large and long waves.

The case for the self- and fix-referenced PAs are slightly different. Though the self-referenced PA can capture more energy than the fix-referenced counterpart, the increase of the capture power is not as significant as that in OWCs. The reason for this is that the spar in the self-referenced PA has a very long resonance period, which means the motion of the spar may not make a significant contribution for power conversion. The heave plate performs more like a reference structure, rather than a part which can significantly contribute to increase wave power production. Learning from the case of the OWC, it can be envisaged that the PA can be further optimized so that the two resonance periods can be closer to make the device more efficient.

It must be emphasized that the choice of the device deployment may not be only decided for energy conversion, while some other practical considerations and limits must be taken into account, such as the device survivability, the PTO and generator capacity and efficiency, the electronics and control systems, mooring design if the device is floating or self-referencing and so on. In practice, device survivability may be the most important factor we need to consider. For wave energy converters, they have to be designed to efficiently produce power from the operational sea waves, but they must survive from much energetic seas. Another practical issue is that the device cannot produce too much energy for which the device's mechanism, PTO, generator and electronics may not be able to handle: structural overloading in mechanics may cause structure failures, while the power overloading can cause the failures of the PTO, generator and electronics. As it has been suggested, for wave energy converters, their capacity of PTO and generator will be limited for both the cost of the components and the energy conversion efficiency. Babarit et al. [51] proposed that the maximal PTO power (PTO rated power) can be set to 20 times the mean annual absorbed power, and Henriques et al. [52] indicated that to reduce the losses of the PTO system at partial load, the recommended generator with a rated power is twice the maximal expected average power conversion. All these have suggested that limited maximal PTO power and generator must be applied for practical purposes.

It must be noted that for improving wave energy conversion, different control strategies have been proposed and studied, especially for those small fix-referenced wave energy converters which experience narrow energy conversion bandwidths [53–58], and accordingly these control technologies can extend the bandwidth of the device in converting wave energy. Also, control technologies are generally more effective for fix-referenced devices than those self-referenced devices. The research has shown that the control systems could increase the power conversion by a few times [59] for fix-referenced devices whilst they can be relatively low for the self-referenced devices [60]. Hence the conclusions in the research may be very different if the control technologies are considered.

Another issue is for the distinction between floating or self-referenced devices. As the water depths for wave energy converter may be roughly around 50 m–100 m, this type of water depth should be regarded as shallow water in terms of mooring design and deployment. For such water depths, conventional mooring systems developed for the oil and gas industry may not be very practical, and also the special requirements of the wave energy converters are very different, in which there may be two contradictory requirements: limiting the device's drifting while providing enough compliancy to the device power conversion ([61]). Consequently, special mooring configurations and components have been considered. A recent effort to encompass the problem is to incorporate some special elastic components on the mooring lines so to reduce the stiffness of the mooring lines and thus the maximal loads on mooring lines. It has been shown that this development may benefit both for reducing the maximal loads on the mooring lines while maintaining the required minimal breaking load (MBL) to provide enough room for mooring safety. Casaubiell et al. [62] have shown that a 70% reduction of

the maximal mooring loads on mooring lines can be attained by implementing the elastic mooring components in the mooring line. Similar results have been independently reported by Thies et al. [63].

7. Conclusions

In some open shallow water regions, developing wave energy can be very attractive, due to the fact that enough wave resources may be available for massive wave energy production, while these regions are generally very close to the shore facilitating easy cable connections and access to the needed infrastructure. Generally, these regions may fall to the transition water depths for fix- or self-referenced WECs, implying both deployments are possible, and both may have significant challenges. For a fix-referenced/fixed WEC, the cable connection and the access to the device can be easy, but the device, the power take-off system and other components may suffer from survivability problems under the severest sea conditions. For a self-referenced/floating WEC, the device can be designed to be more efficient in converting energy from the waves of interest and more compliant for the severe sea conditions (with long wave periods). However, the shallow water mooring design may be a challenge.

This paper examines and compares the power performance of the fix- or self-referenced PA and OWC wave energy converters in terms of extracting wave energy from seas. Generally, from the study the following conclusions can be drawn:

For a floating/self-referenced wave energy converter, it is possible to use the motion of the device (or part of the device) to enhance the power performance of the device while to design the device to be compliant to the waves with long periods.

Separating the resonance periods between the motions for power conversion is important to increase the device response in a wider range and thus for better power performance. However, it is also important to keep an appropriate difference between these resonance periods. Too large difference between the resonance periods may not be good to improve the device's power performance, as seen in the floating point absorber.

Floating wave energy converters of both PA and OWC type can generally extract more energy for the target waves (that is, the most frequently happening waves). Both floating WECs can take more energy from waves of periods 6–11 s. For the case of the OWCs, the floating OWC can annually take 180% more energy than that of fixed OWC.

It is also shown that for the self-referenced PA, the heave plate is better modified to a diameter of $D = 25$ m in terms of the sea conditions at Belmullet, thus a better power performance can be attained for the target waves. It may also be expected that the self-referenced PA can be further optimized by increasing the diameter of the spar at the water plane, thus narrowing the gap of the two resonance periods as seen in the case of the floating OWC, for which the two resonance periods are not significantly different, which means a good compliance of the OWC device in long waves. It must be noted that the original RM3 was designed for the sea conditions on the west coast of the US [13]. By comparison, it can be seen that the wave periods in the west coast of the US are longer than those waves in the Atlantic Arc of Europe.

Future work may be needed to examine the power performance for both fix- and self-referenced PA and OWC in terms of design optimizations of these two WECs. In addition, the quality of the capture power may be needed to be examined, because the self-referenced PA has a large but narrow peak which may cause some problems of too much power production for the power take-off and generator system for certain waves.

Acknowledgments: This material is based upon works supported by Science Foundation Ireland (SFI) under the SFI Centre for Marine and Renewable Energy Research (MaREI), Environment Research Institute, University College Cork, Ireland (Grant No.12/RC/2302). Statistics and data were correct at the time of writing the article; however the authors wish to disclaim any responsibility for any inaccuracies that may arise.

Author Contributions: Wanan Sheng conducts the detailed research work, and writes the manuscript; Tony Lewis helped to obtain the funding support for the research, outline the research work and review the manuscript.

Conflicts of Interest: The authors declare no conflicts of the interest.

References

1. Bull, D.; Ochs, M.E. *Technological Cost-Reduction Pathways for Point Absorber Wave Energy Converters in the Marine Hydrokinetic Environment*; SAND2013-7204; Sandia National Laboratories: Albuquerque, NM, USA, 2013.
2. Magagna, D. *Wave and Tidal Energy Strategic Technology Agenda*; 2014 SI Ocean Report; SI Ocean: Brussels, Belgium, 2014.
3. TP Ocean. European Technology and Innovation Platform for Ocean Energy. Available online: <http://www.oceanenergy-europe.eu/index.php/policies/technology-platform> (accessed on 10 December 2015).
4. WES. Wave Energy Scotland Initiatives. Available online: <http://www.hie.co.uk/growth-sectors/energy/wave-energy-scotland/> (accessed on 10 December 2015).
5. Ocean Energy. Ocean Energy USA LLC. Available online: <http://oceanenergy.ie/371-2/> (accessed on 10 December 2015).
6. ESB. ESB's Ocean Energy Project: Westwave. Available online: <http://www.esb.ie/main/innovation/ocean-energy.jsp> (accessed on 10 December 2015).
7. Zheng, S.; Zhang, Y.; Sheng, W. Numerical study on the dynamics of a novel two-raft wave energy absorption device. In Proceedings of the 11th European Wave & Tidal Energy Conference (EWTEC), Nantes, France, 6–11 September 2015.
8. Orazov, B.; O'Reilly, O.M.; Savas, O. On the dynamics of a novel ocean wave energy converter. *J. Sound Vib.* **2010**, *329*, 5058–5069. [[CrossRef](#)]
9. El-Baz, A.M.R.; Montasser, O.A.; El-Feky, A.H. Laboratory testing of a novel float-type sea wave energy converter using a smart wave generator. In Proceedings of the European Wave and Tidal Energy Conference (EWTEC), Southampton, UK, 5–9 September 2011.
10. Crozier, R.; Bailey, H.; Mueller, M.; Spooner, E.; McKeever, P.; McDonald, A. Hydrodynamic and Electromechanical Simulation of a WEC with a novel non-linear PTO. In Proceedings of the 9th European Wave and Tidal Energy Conference (EWTEC), Southampton, UK, 5–9 September 2011.
11. McCormick, M.E. *Ocean Wave Energy Conversion*; Dover Publications, Inc.: Mineola, NY, USA, 2007.
12. Falcao, A. Wave energy utilization: A review of the technologies. *Renew. Sustain. Energy Rev.* **2010**, *14*, 899–918. [[CrossRef](#)]
13. Neary, V.S.; Lawson, M.; Previsic, M.; Copping, A.; Hallett, K.C.; LaBonte, A.; Rieks, J.; Murray, D. *Methodology for Design and Economic Analysis of Marine Energy Conversion (MEC) Technologies*; SAND2014-9040; Sandia National Laboratories: Albuquerque, NM, USA, 2014.
14. International Electrotechnical Commission (IEC). *IEC 62600-100, Marine Energy-Wave, Tidal and Other Water Current Converters—Part 100: Electricity Producing Wave Energy Converters-Power Performance Assessment*; IEC: Geneva, Switzerland, 2012.
15. SI-OCEAN. Ocean Energy: Cost of Energy and Cost Reduction Opportunities. Available online: http://si-ocean.eu/en/upload/docs/WP3/CoE%20report%203_2%20final.pdf (accessed on 3 February 2015).
16. OEE. Industry Response on Ocean Energy (to EC Issue Paper). Available online: http://www.oceanenergy-europe.eu/images/Documents/TPOcean/160617_TPOcean_response_to_issue_paper.pdf (accessed on 5 September 2016).
17. Folley, M.; Whittaker, T. Analysis of the nearshore wave energy resource. *Renew. Energy* **2009**, *34*, 1709–1715. [[CrossRef](#)]
18. Magagna, D.; Uihleih, A. Ocean energy development in Europe: Current status and future perspectives. *Int. J. Mar. Energy* **2015**, *11*, 84–104. [[CrossRef](#)]
19. Johanning, L.; Smith, G.H.; Wolfram, J. Measurements of static and dynamic mooring line damping and their importance for floating WEC devices. *Ocean Eng.* **2007**, *34*, 1918–1934. [[CrossRef](#)]
20. Yu, Y.H.; Lawson, M.; Li, Y.; Previsic, M.; Epler, J.; Lou, J. *Experimental Wave Tank Test for Reference Model 3 Floating-Point Absorber Wave Energy Converter Project 2015*; NREL/TP-5000-62951; National Renewable Energy Laboratory: Golden, CO, USA, 2015.
21. Falcao, A.; Henriques, J.C.C.; Candido, J.J. Dynamic and optimization of the OWC spar buoy wave energy converter. *Renew. Energy* **2012**, *48*, 369–381. [[CrossRef](#)]

22. Svensson, O. *Experimental results from the Lysekil Wave Power Research Site*; Department of Engineering Sciences, Electricity, Uppsala University: Uppsala, Sweden, 2012.
23. Engström, J. *Hydrodynamic Modelling for a Point Absorbing Wave Energy Converter*; Department Engineering Science, Uppsala University: Uppsala, Sweden, 2011.
24. Heath, T. A review of oscillating water columns. *Philos. Trans. R. Soc. A Math. Phys. Eng. Sci.* **2012**, *370*, 235–245. [[CrossRef](#)] [[PubMed](#)]
25. Torre-Enciso, Y.; Ortubia, I.; López de Aguilera, L.I.; Marqués, J. Mutriku Wave Power Plant: From the thinking out to the reality. In Proceedings of the 8th European Wave and Tidal Energy Conference, Uppsala, Sweden, 7–10 September 2009.
26. OPT. Ocean Power Technology. Available online: <http://www.oceanpowertechologies.com/> (accessed on 5 March 2015).
27. Bull, D. An improved understanding of the natural resonances of moonpools contained within floating rigid-bodies: Theory and application to oscillating water column devices. *Ocean Eng.* **2015**, *108*, 799–812. [[CrossRef](#)]
28. Bailey, H.; Robertson, B.; Buckham, B. Wave-to-wire simulation of a floating oscillating water column wave energy converter. *Ocean Eng.* **2016**, *125*, 248–260. [[CrossRef](#)]
29. Guanche, R.; Gómez, V.; Vidal, C.; Eguinoa, I. Numerical analysis and performance optimization of a submerged wave energy point absorber. *Ocean Eng.* **2013**, *59*, 214–230. [[CrossRef](#)]
30. De Backer, G. *Hydrodynamic Design Optimisation of Wave Energy Converters Consisting of Heaving Point Absorbers*; Department of Civil Engineering, Ghent University: Ghent, Belgium, 2009.
31. Vantorre, M.; Banasiak, R.; Verhoeven, R. Extraction of sea wave energy: A mathematical evaluation of a point absorber in heave. In *Advances in Fluid Mechanics IV*; Rahman, M., Verhoeven, R., Brebbia, C., Eds.; WIT Press: Southampton, UK, 2002.
32. Falnes, J. *Ocean Waves and Oscillating Systems: Linear Interaction Including Wave-Energy Extraction*; Cambridge University Press: Cambridge, UK, 2002.
33. Sjøkvist, L.; Krishna, R.; Rahm, M.; Castellucci, V.; Hagnestål, A.; Leijon, M. On the optimization of point absorber buoys. *J. Mar. Sci. Eng.* **2014**, *2014*, 477–492. [[CrossRef](#)]
34. WaveBob. Available online: <https://technologyvoice.com/2011/01/13/wavebob-generating-power-from-the-movement-of-waves/> (accessed on 11 December 2016).
35. Falnes, J. Wave-energy conversion through relative motion between two single model oscillating bodies. *Trans. ASME* **1999**, *121*, 32–38.
36. Sheng, W.; Lewis, A. Power take-off optimisation for maximising energy conversion of wave activated bodies. *IEEE J. Ocean. Eng.* **2016**. [[CrossRef](#)]
37. Pizer, D. Maximum wave-power absorption of point absorbers under motion constraints. *Appl. Ocean Res.* **1993**, *15*, 227–234. [[CrossRef](#)]
38. Zheng, S.; Zhang, Y.; Sheng, W. Maximum wave energy conversion by two interconnected floaters. *J. Energy Resour. Technol.* **2016**, *138*. [[CrossRef](#)]
39. WavEC. OWC PICO Wave Energy Plant. Available online: <http://www.pico-owc.net/cms.php?page=539&wmsid=db492017dcdcf8bb4d513c748cbfc71af> (accessed on 15 August 2015).
40. EVE. Mutriku OWC Plant. Available online: <http://www.eve.eus/Promocion-de-inversiones/Mutriku.aspx?lang=en-GB>, (accessed on 11 December 2016).
41. OE. Ocean Energy Ltd. Available online: <http://www.oceanenergy.ie/> (accessed on 11 December 2016).
42. Gomes, R.P.F.; Henriques, J.C.C.; Gato, L.M.C.; Falcão, A.F.O. Hydrodynamic optimisation of an axisymmetric floating oscillating water column for wave energy conversion. *Renew. Energy* **2012**, *44*, 328–339. [[CrossRef](#)]
43. Tidal Energy Today. EVE Awards Wave Tech Contract to Oceantec Energías Marinas. Available online: <http://tidalenergytoday.com/2015/11/13/eve-awards-wave-tech-contract-to-oceantec-energias-marinas/> (accessed on 5 September 2016).
44. Sheng, W.; Alcorn, R.; Lewis, A. Hydrodynamics of Oscillating Water Column OWC wave energy converters. In Proceedings of the 1st Renewable Energies Offshore (RENEW 2014), Lisbon, Portugal, 24–26 November 2014.
45. Sheng, W.; Alcorn, R.; Lewis, A. Assessment of primary wave energy conversions of oscillating water columns. I. Hydrodynamic analysis. *J. Renew. Sustain. Eng.* **2014**, *6*. [[CrossRef](#)]

46. WAMIT. User Manual. 2016. Available online: <http://www.wamit.com/manual.htm> (accessed on 11 December 2016).
47. Sheng, W.; Lewis, A. Assessment of wave energy extraction from seas: Numerical validation. *J. Energy Resour. Technol.* **2012**, *134*, 103–116. [[CrossRef](#)]
48. International Electrotechnical Commission (IEC). *IEC TS 62600-101, Marine Energy-Wave, Tidal and Other Water Current Converters—Part 101: Wave Energy Resource Assessment and Characterization*; IEC: Geneva, Switzerland, 2015.
49. Falcao, A. Phase control through load control of oscillating-body wave energy converters with hydraulic PTO system. *Ocean Eng.* **2008**, *35*, 358–366. [[CrossRef](#)]
50. Veer, R.V.; Thorlen, H.J. Added resistance of moonpool in calm water. In Proceedings of the ASME 27th International Conference on Offshore Mechanics and Arctic Engineering, Estoril, Portugal, 15–20 June 2008.
51. Babarit, A.; Hals, J.; Muliawan, M.J.; Kurniawan, A.; Moan, T.; Krokstad, J. Numerical benchmarking study of a selection of wave energy converters. *Renew. Energy* **2012**, *41*, 44–63. [[CrossRef](#)]
52. Henriques, J.C.C.; Gomes, R.P.F.; Gato, L.M.C.; Falcão, A.F.O.; Robles, E.; Ceballos, S. Testing and control of a power take-off system for an oscillating-water-column wave energy converter. *Renew. Energy* **2016**, *85*, 714–724. [[CrossRef](#)]
53. Falnes, J. Optimum control of oscillation of wave-energy converters. *Int. J. Offshore Polar Eng.* **2002**, *12*, 147–155.
54. Babarit, A.; Clement, A.H. Optimal latching control of a wave energy device in regular and irregular waves. *Appl. Ocean Res.* **2006**, *28*, 77–91. [[CrossRef](#)]
55. Sheng, W.; Alcorn, R.; Lewis, A. A new latching control technology for improving wave energy conversion. In Proceedings of the International Conference on Ocean Energy (ICOE), Halifax, NS, Canada, 4–6 November 2014.
56. Tom, N.; Yeung, R.W. Non-linear model predictive control applied to a generic ocean-wave energy extractor. In Proceedings of the ASME 2013 32nd International Conference on Ocean, Offshore and Arctic Engineering, Nantes, France, 9–14 June 2013.
57. Nebel, P. Maximising the efficiency of wave energy plant using complex conjugate control. *Proc. Inst. Mech. Eng. Part A J. Syst. Control Eng.* **1992**, *206*, 225–236. [[CrossRef](#)]
58. Babarit, A.; Guglielmi, M.; Clement, A.H. Declutching control of a wave energy converter. *Ocean Eng.* **2009**, *36*, 1015–1024. [[CrossRef](#)]
59. Hals, J.; Falnes, J.; Moan, T. A comparison of selected strategies for adaptive control of wave energy converters. *J. Offshore Mech. Arct. Eng.* **2011**, *133*, 812–814. [[CrossRef](#)]
60. Falcao, A.; Henriques, J.C.C. Effect of non-ideal power take-off efficiency on performance of single- and two-body reactively controlled wave energy converters. *J. Ocean Eng. Mar. Energy* **2015**, *1*, 273–286. [[CrossRef](#)]
61. Fitzgerald, J.; Bergdahl, L. Considering mooring cables for offshore wave energy converters. In Proceedings of the 7th European Wave and Tidal Energy Conference (EWTEC), Porto, Portugal, 11–14 September 2007.
62. Casaubieilh, P.; Thiebaut, F.; Bosma, B.; Retzler, C.; Shaw, M.; Letertre, Y.; Sheng, W. Performance improvements of mooring systems for wave energy converters. In Proceedings of the RENEW 2014 1st International Conference on Renewable Energies Offshore, Lisbon, Portugal, 24–26 November 2014.
63. Thies, P.R.; Johanning, L.; McEvoy, P. A novel mooring tether for peak load mitigation: Initial performance and service simulation testing. *Int. J. Mar. Energy* **2014**, *7*, 43–56. [[CrossRef](#)]

